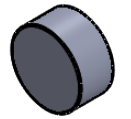
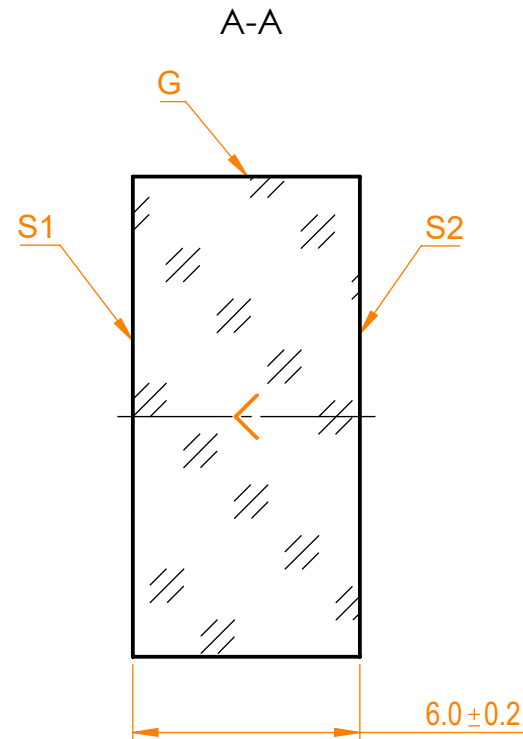
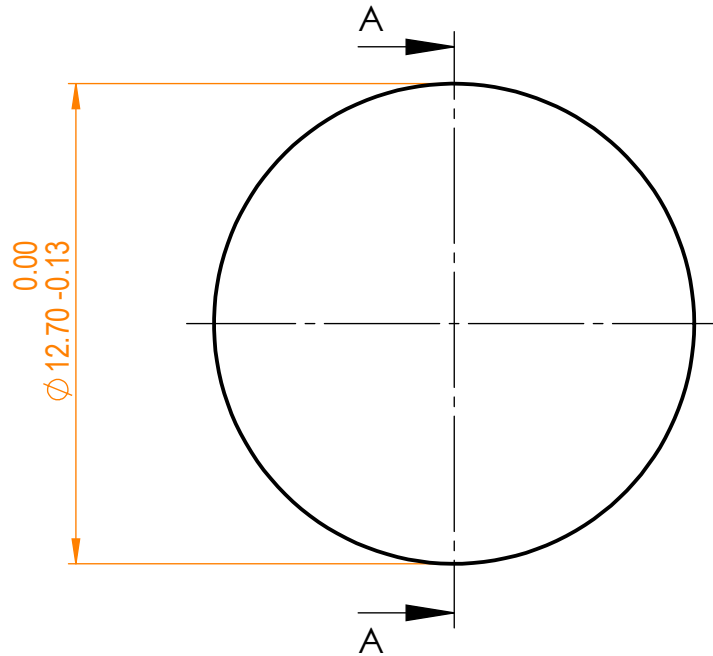


NOTES:


1. Material: N-BK7;
2. G - Fine ground surface;
3. All dimensions are in mm;
4. Wedge: <3 min;
5. Protective chamfers: 0.3 mm x 45°;
6. Laser Induced Damage Threshold:
 - > 0.1 J/cm² at @355nm, 50Hz, 5.7nsec pulses,
 - > 0.25 J/cm² at @1064nm, 50Hz, 11nsec pulses;



Isometric view 1:1



Specifications are subject to change without notice
Dimensions are for reference only

| | | Parameters | |  info@eksmaoptics.com www.eksmaoptics.com | | N-BK7 pl mirror, D=12.7 mm, T=6 mm | | | | |
|---------------------|--|--|------------------|--|----------|------------------------------------|------------|-------------|------|-------|
| | | S1 | S2 | | | Name | Date | Part number | Rev. | Scale |
| Shape | | Plano | Plano | Proprietary The information in this drawing is property of EKSMA Optics. Any reproduction in part or as a whole without the written permission of EKSMA Optics is prohibited. | Approved | A.K. | 2020.12.03 | 091-0015T6 | A | 5:1 |
| Radius of curvature | | Infinity | Infinity | | | | | | | |
| Surface flatness | | $\lambda/10$ @633nm | λ @633nm | | | | | | | |
| Surface quality | | 40-20 s/d | 80-50 s/d | | | | | | | |
| Clear aperture | | >90% | >90% | | | | | | | |
| Coating | | Protected aluminium Ravg>86%@300nm - IR | Uncoated | | | | | | | |