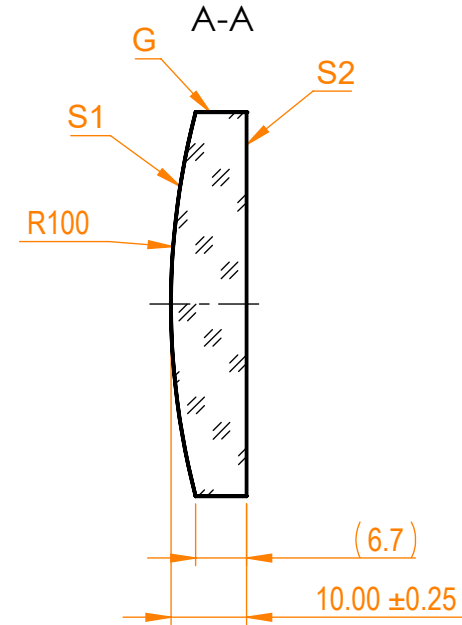
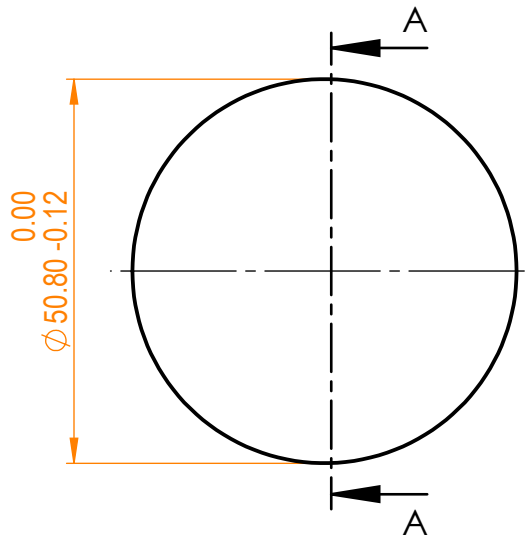


NOTES:

- 1. Material: UVFS;
- 2. LDT: >100 mJ/cm², 50 fsec, 100Hz, 800 nm;
- 3. Coating adhesion and durability: MIL-C-675A;
- 4. Protective chamfers: 0.2 - 0.3 mm x 45°;
- 5. G - Fine ground surface;
- 6. All dimensions are in mm.



Isometric view 1:5



Parameters

	S1	S2
Shape	Convex	Plano
Radius of curvature	100 mm	Infinity
Surface quality	20-10 s/d	Commercial polish
Surface irregularity	$\lambda/10$ @632.8 nm	-
Clear aperture	≥85%	-
Coating	HR>99.7%@800±20nm, AOI=0°	-



UVFS pl/cx mirror, D=50.8 mm

Proprietary	Approved	Name	Date	Part number	Rev.	Scale
The information in this drawing is property of EKSMA Optics. Any reproduction in part or as a whole without the written permission of EKSMA Optics is prohibited.	Drawn	A.K.	2020.12.22	085-9010	A	1:1
		M.B.	2020.12.22			