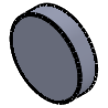
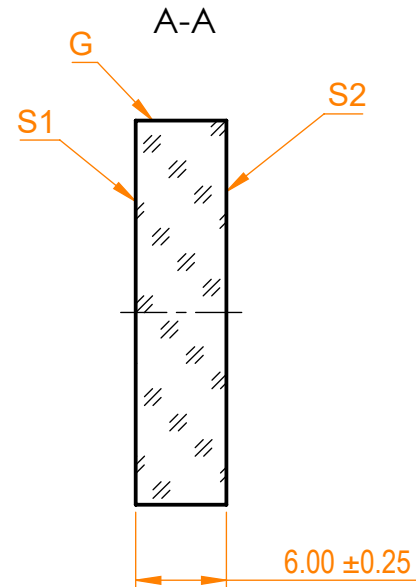
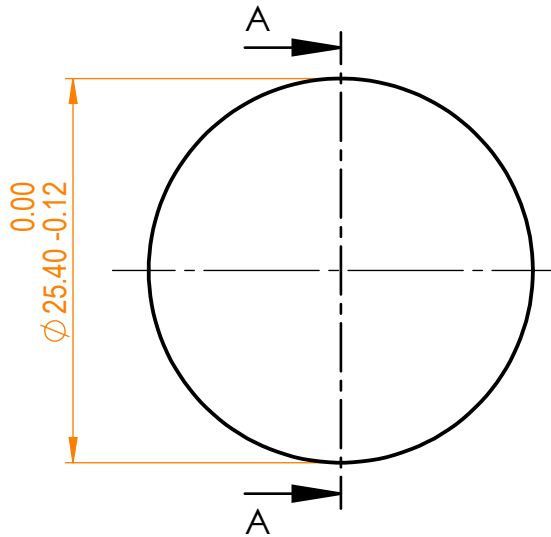


**NOTES:**

1. Material: BK7;
2. |GDD|: <30 fs<sup>2</sup>, 720-880nm;
3. Wedge: <3 min;
4. LDT: >50 mJ/cm<sup>2</sup>, 50 fsec, 100Hz, 800 nm;
5. G - Fine ground surface;
6. All dimensions are in mm;



Isometric view 1:2



Specifications are subject to change without notice  
Dimensions are for reference only

Parameters		
	S1	S2
Shape	Plano	Plano
Surface quality	20-10 s/d	80-60 s/d
Surface flatness	$\lambda/10$ @632.8 nm	$\lambda$ @632.8 nm
Protective chamfers	0.2 - 0.3 mm x 45°	0.2 - 0.3 mm x 45°
Clear aperture	≥90%	≥90%
Coating	HRavg>99%@720-880nm, AOI=0°	Uncoated



D=25.4 mm, Broadband Low GDD  
Ultrafast Mirror

Proprietary		Name	Date	Part number	Rev.	Scale
The information in this drawing is property of EKSMA Optics. Any reproduction in part or as a whole without the written permission of EKSMA Optics is prohibited.	Approved	A.K.	2020.11.05	072-7288-i0	A	2:1
	Drawn	M.B.	2020.11.05			