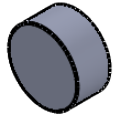
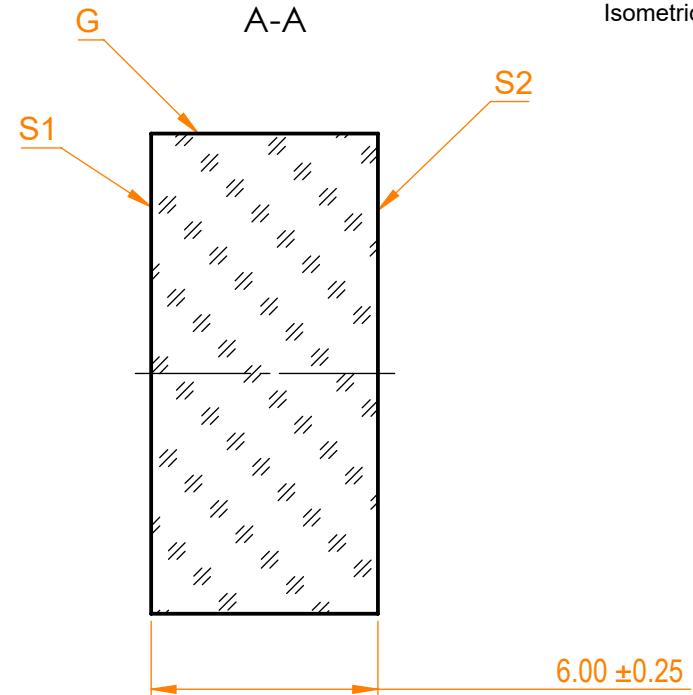
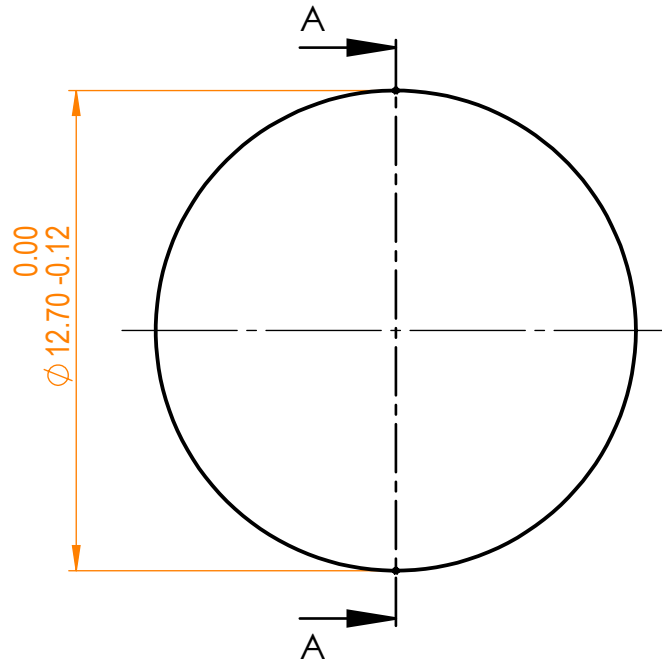


NOTES:

1. Material: BK7;
2. |GDD|: <30 fs², 720-880nm;
3. Wedge: <3 min;
4. LDT: >50 mJ/cm², 50 fsec, 100Hz, 800 nm;
5. G - Fine ground surface;
6. All dimensions are in mm;



Isometric view 1:1



Specifications are subject to change without notice
 Dimensions are for reference only

| Parameters | | |
|---------------------|---------------------------------|---------------------|
| | S1 | S2 |
| Shape | Plano | Plano |
| Surface quality | 20-10 s/d | 80-60 s/d |
| Surface flatness | $\lambda/10$ @632.8 nm | λ @632.8 nm |
| Protective chamfers | 0.2 - 0.3 mm x 45° | 0.2 - 0.3 mm x 45° |
| Clear aperture | ≥90% | ≥90% |
| Coating | HRavg>99%@720-880nm, AOI=45° | Uncoated |



D=12.7 mm, Broadband Low GDD
 Ultrafast Mirror

| Proprietary | Approved | Name | Date | Part number | Rev. | Scale |
|---|----------|------|------------|-------------|------|-------|
| The information in this drawing is property of EKSMA Optics. Any reproduction in part or as a whole without the written permission of EKSMA Optics is prohibited. | Approved | A.K. | 2020.11.05 | 071-7288T6 | A | 5:1 |
| | Drawn | M.B. | 2020.11.05 | | | |