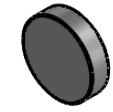
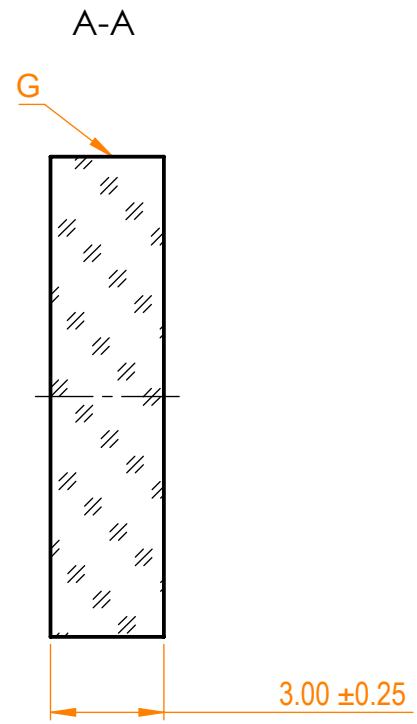
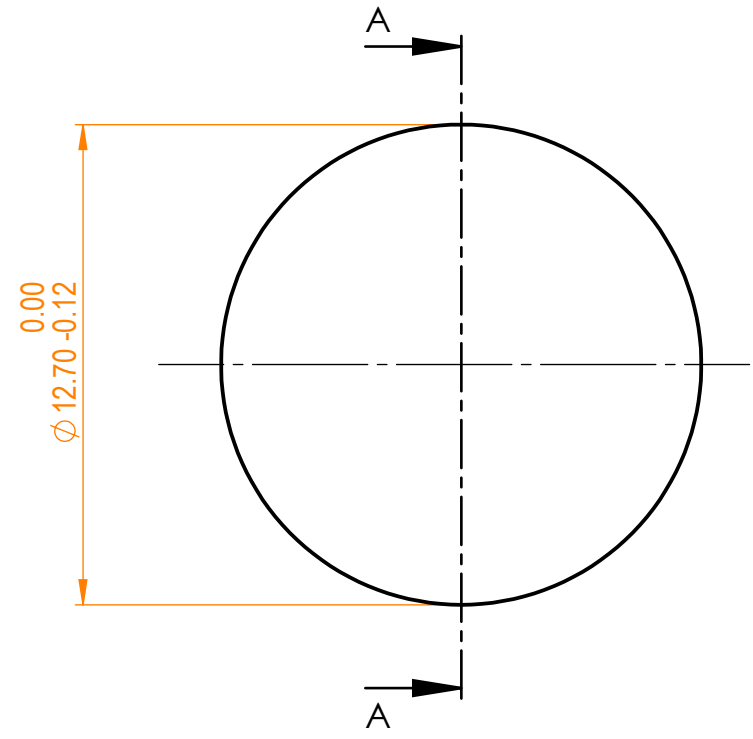


NOTES:  
 1. Material: BK7;  
 2. G - Fine ground surface;  
 3. All dimensions are in mm;



Isometric view 1:1



Specifications are subject to change without notice  
 Dimensions are for reference only

Parameters		EKSMA OPTICS		BK7 pl mirror, D=12.7 mm, T=3 mm					
Shape	Plano	 info@eksmaoptics.com www.eksmaoptics.com		Name	Date	Part number	Rev.	Scale	
S1 Surface flatness	$\lambda/10$ @632.8 nm								
S1 Surface quality	20-10 s/d			Approved	A.K.	2020.01.09	071-3644-i0	A	5:1
S2 Surface quality	Commercial polish								
Clear aperture	$\geq 85\%$			Drawn	A.F.	2020.01.09			
Protective chamfers	0.2 - 0.3 mm x 45°								
Wedge	<3 minutes			The information in this drawing is property of EKSMA Optics. Any reproduction in part or as a whole without the written permission of EKSMA Optics is prohibited.					
Coating	HR(s+p)/2>99.0%@360-440nm, AOI=0°								