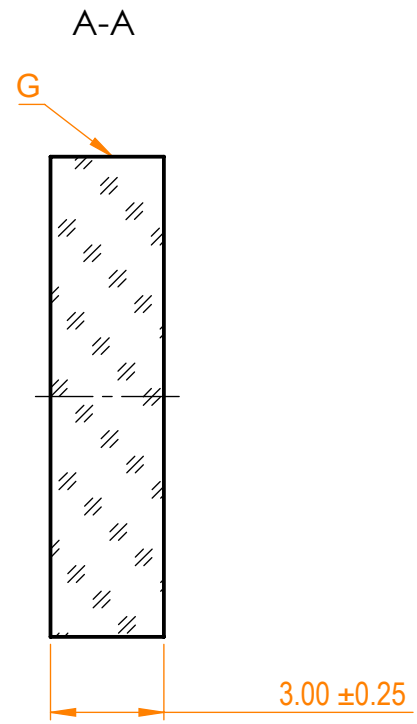
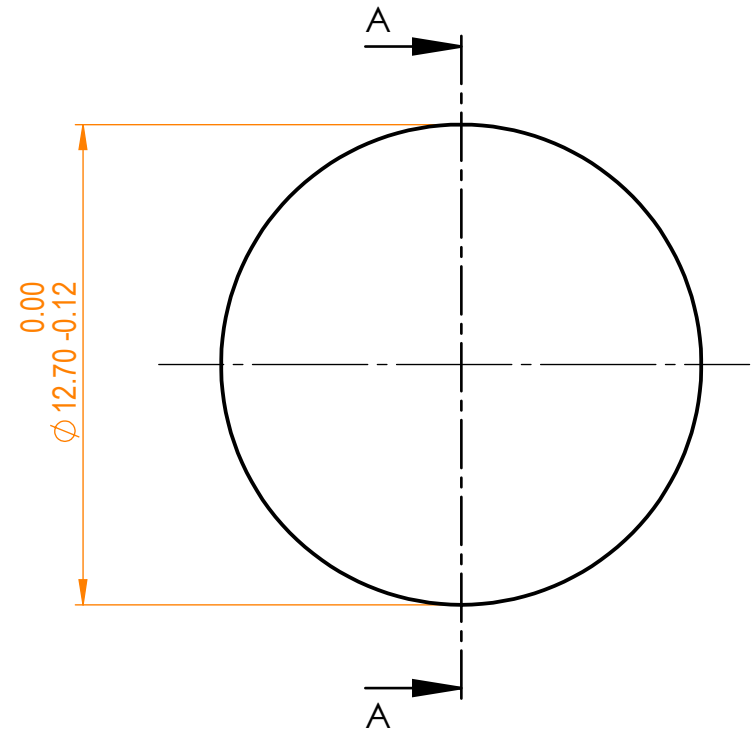


NOTES:  
 1. Material: UVFS;  
 2. G - Fine ground surface;  
 3. All dimensions are in mm;



Isometric view 1:1



Specifications are subject to change without notice  
 Dimensions are for reference only

Parameters		EKSMA OPTICS		UVFS pl mirror, D=12.7 mm, T=3 mm			
Shape	Plano	 info@eksmaoptics.com www.eksmaoptics.com		Name: A.K.    Date: 2019.12.19    Part number: 061-5103-i0    Rev.: A    Scale: 5:1			
S1 Surface flatness	$\lambda/10$ @632.8 nm						
S1 Surface quality	20-10 s/d	Proprietary	Approved	A.K.	2019.12.19	061-5103-i0	
S2 Surface quality	Commercial polish	The information in this drawing is property of EKSMA Optics. Any reproduction in part or as a whole without the written permission of EKSMA Optics is prohibited.		A.F.	2019.12.19		
Clear aperture	$\geq 85\%$						
Protective chamfers	0.2 - 0.3 mm x 45°						
Wedge	<3 minutes						
Coating	HR <sub>(s+p)/2</sub> >99.5% @500-530+1000-1060nm, AOI=0°						