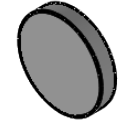
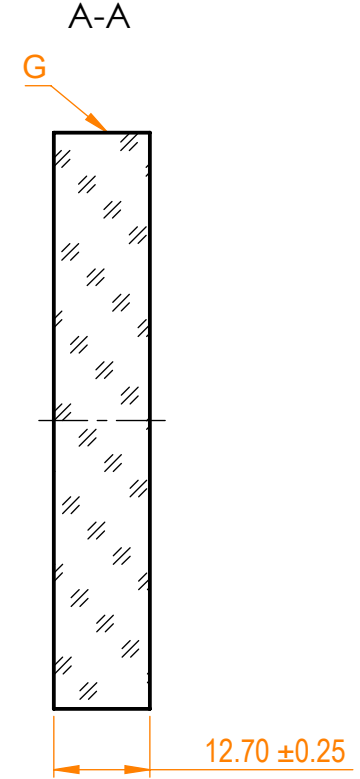
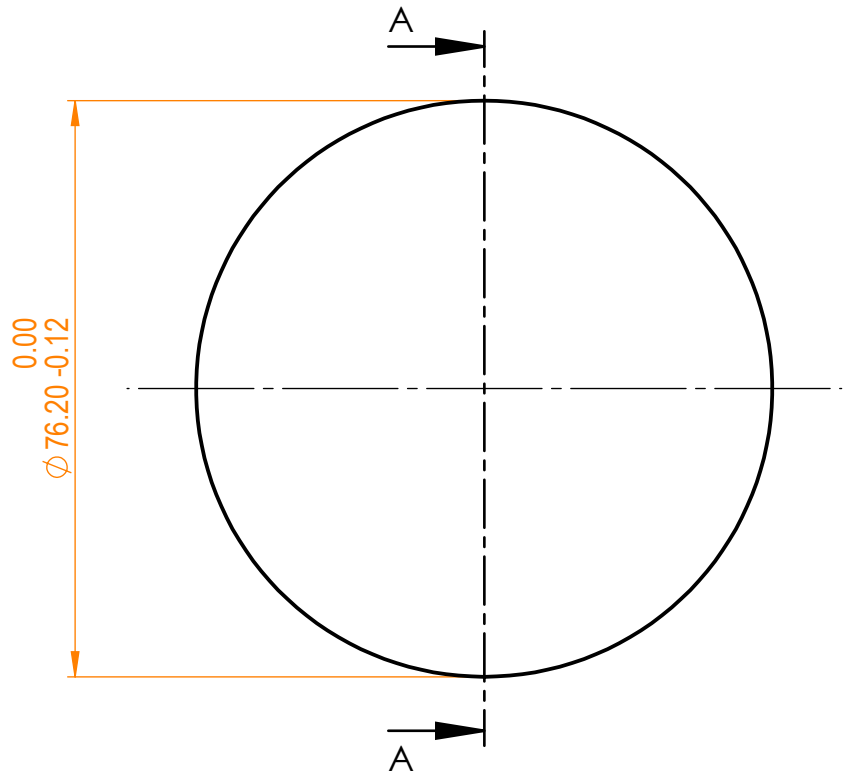


NOTES:
 1. Material: BK7;
 2. G - Fine ground surface;
 3. All dimensions are in mm;



Isometric view 1:5



Specifications are subject to change without notice
 Dimensions are for reference only

Parameters		EKSMA OPTICS		BK7 pl mirror, D=76.2 mm, T=12.7 mm						
Shape	Plano	 info@eksmaoptics.com www.eksmaoptics.com		Name	Date	Part number	Rev.	Scale		
S1 Surface flatness	$\lambda/10$ @632.8 nm			Approved	A.K.				2019.12.18	
S1 Surface quality	20-10 s/d			The information in this drawing is property of EKSMA Optics. Any reproduction in part or as a whole without the written permission of EKSMA Optics is prohibited.	Drawn	A.F.	2019.12.18	057-4080-i0	A	1:1
S2 Surface quality	Commercial polish									
Clear aperture	$\geq 85\%$									
Protective chamfers	0.2 - 0.3 mm x 45°									
Wedge	<3 minutes									
Coating	HR _{(s+p)/2} >99.5% @390-410+780-820nm, AOI=0°									