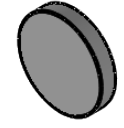
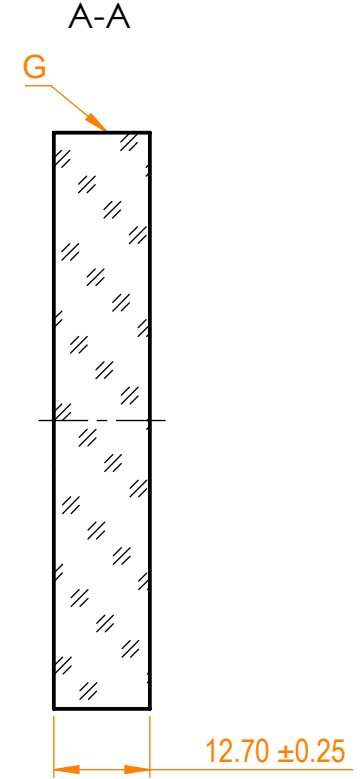
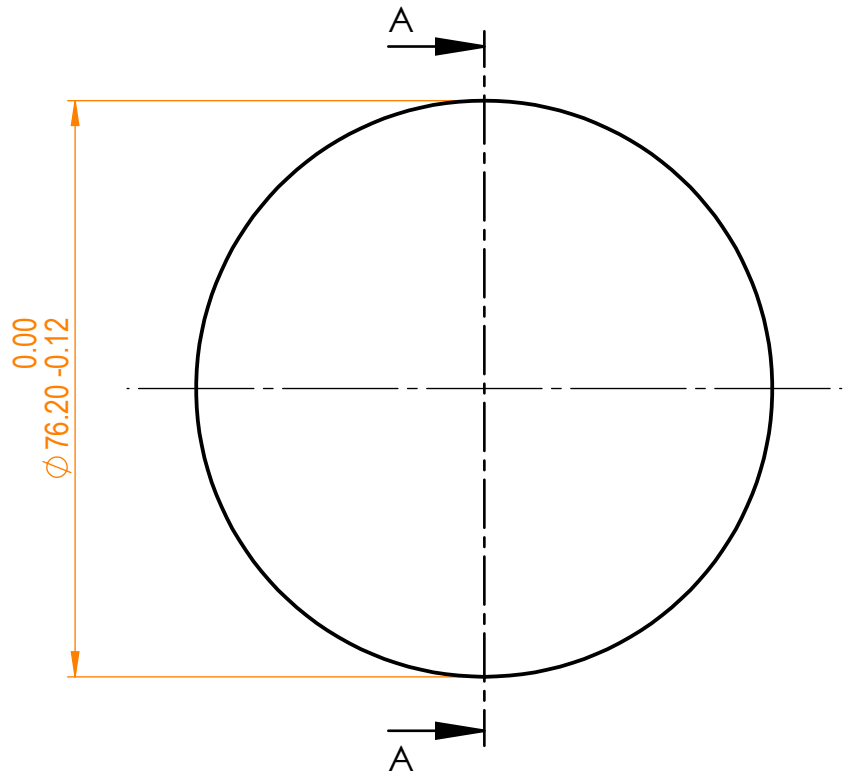


NOTES:
 1. Material: UVFS;
 2. G - Fine ground surface;
 3. All dimensions are in mm;



Isometric view 1:5



Specifications are subject to change without notice
 Dimensions are for reference only

| Parameters | | EKSMA OPTICS | | UVFS pl mirror, D=76.2 mm, T=12.7 mm | | | | |
|---------------------|--|---|----------|---|------------|-------------|------|-------|
| Shape | Plano | info@eksmaoptics.com www.eksmaoptics.com | | Name | Date | Part number | Rev. | Scale |
| S1 Surface flatness | $\lambda/10$ @632.8 nm | | | | | | | |
| S1 Surface quality | 20-10 s/d | Proprietary | Approved | A.K. | 2019.12.18 | 047-0515 | A | 1:1 |
| S2 Surface quality | Commercial polish | | | The information in this drawing is property of EKSMA Optics. Any reproduction in part or as a whole without the written permission of EKSMA Optics is prohibited. | Drawn | | | |
| Clear aperture | $\geq 85\%$ | | | | | | | |
| Protective chamfers | 0.2 - 0.3 mm x 45° | | | | | | | |
| Wedge | <3 minutes | | | | | | | |
| Coating | HR _{(s+p)/2} >99.5% @500-530nm, AOI=45° | | | | | | | |