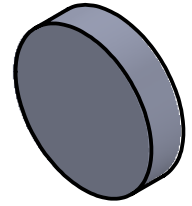
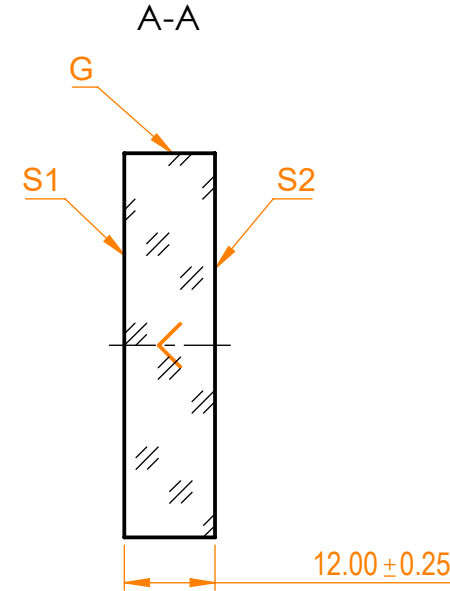
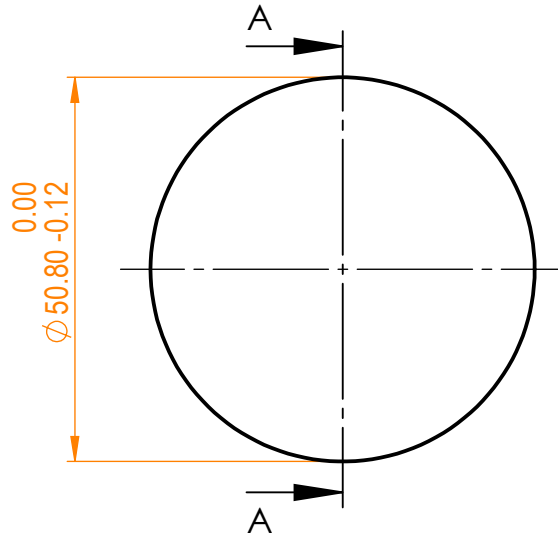


**NOTES:**


1. Material: UVFS;
2. G - Fine ground surface;
3. All dimensions are in mm;
4. Wedge: <3 minutes;
5. Protective chamfers: 0.3 mm x 45°;
6. Laser Induced Damage Threshold: >0.4 J/cm<sup>2</sup> at @1030nm, 100Hz, 50fsec pulses;



Isometric view 1:2



Specifications are subject to change without notice  
Dimensions are for reference only

Parameters				 UVFS pl mirror, D=50.8 mm, T=12 mm						
	S1	S2	Name			Date	Part number	Rev.	Scale	
Shape	Plano	Plano	Proprietary	Approved	A.K.	2020.09.09	045-1030T12 HHR-i0	A	1:1	
Radius of curvature	Infinity	Infinity	The information in this drawing is property of EKSMA Optics. Any reproduction in part or as a whole without the written permission of EKSMA Optics is prohibited.		Drawn	V.S.				2020.09.09
Surface flatness	$\lambda/10$ @633nm	$\lambda$ @633nm per inch								
Surface quality	20-10 s/d	80-50 s/d								
Clear aperture	≥85%	≥85%								
Coating	HR <sub>(s+p)/2</sub> >99.9%@1000-1060nm, AOI=0°	Uncoated								