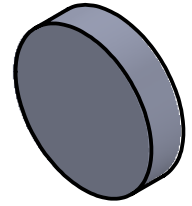
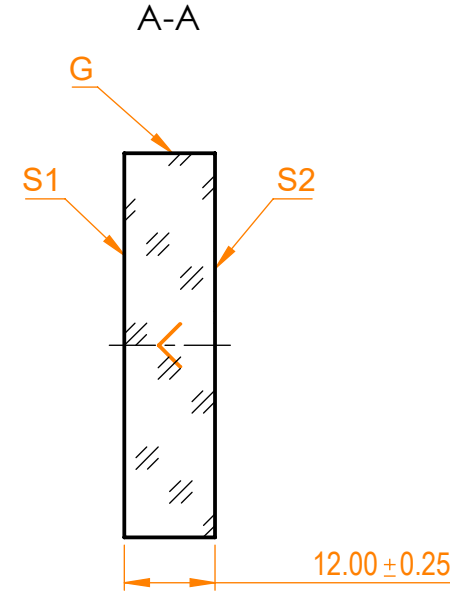
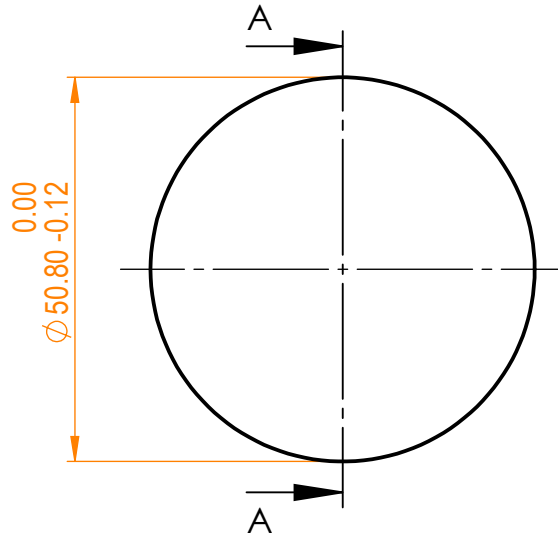


NOTES:


1. Material: UVFS;
2. G - Fine ground surface;
3. All dimensions are in mm;
4. Wedge: <3 minutes;
5. Protective chamfers: 0.3 mm x 45°;
6. Laser Induced Damage Threshold: >3 J/cm² at @1030nm, 20kHz, 10psec pulses;



Isometric view 1:2



Specifications are subject to change without notice
Dimensions are for reference only

Parameters				 UVFS pl mirror, D=50.8 mm, T=12 mm					
	S1	S2							
Shape	Plano	Plano		Proprietary Approved Drawn	Name	Date	Part number	Rev.	Scale
Radius of curvature	Infinity	Infinity			A.K.	2020.09.10	045-1030 PUHR	A	1:1
Surface flatness	$\lambda/10$ @633nm	λ @633nm per inch			V.S.	2020.09.10			
Surface quality	20-10 s/d	80-50 s/d							
Clear aperture	≥85%	≥85%							
Coating	HR(s+p)/2>99.9%@1030nm, AOI=45°	Uncoated							