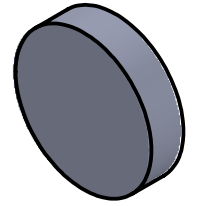
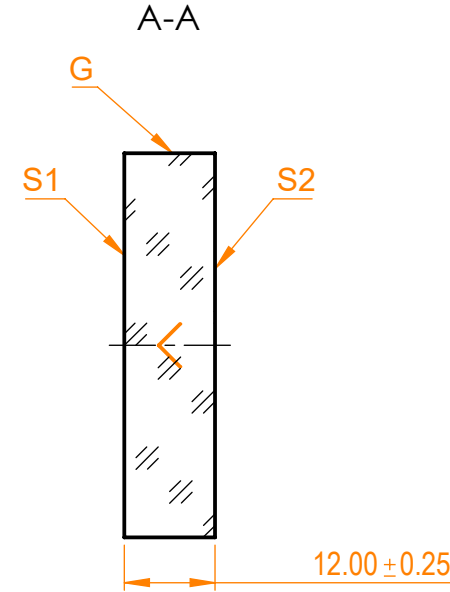
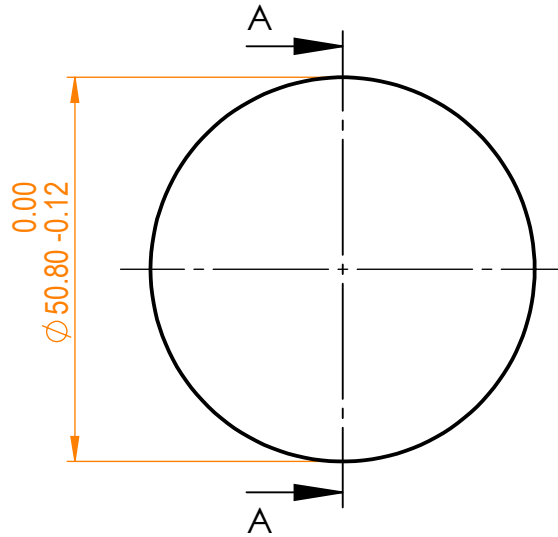


NOTES:


1. Material: UVFS;
2. G - Fine ground surface;
3. All dimensions are in mm;
4. Wedge: <3 minutes;
5. Protective chamfers: 0.3 mm x 45°;
6. Laser Induced Damage Threshold: >3 J/cm² at @1030nm, 20kHz, 10psec pulses;



Isometric view 1:2



Specifications are subject to change without notice
 Dimensions are for reference only

Parameters			 <p>info@eksmaoptics.com www.eksmaoptics.com</p>	UVFS pl mirror, D=50.8 mm, T=12 mm						
	S1	S2		Proprietary	Name	Date	Part number	Rev.	Scale	
Shape	Plano	Plano								The information in this drawing is property of EKSMA Optics. Any reproduction in part or as a whole without the written permission of EKSMA Optics is prohibited.
Radius of curvature	Infinity	Infinity		Drawn	V.S.	2020.09.10				
Surface flatness	$\lambda/10$ @633nm	λ @633nm per inch								
Surface quality	20-10 s/d	80-50 s/d								
Clear aperture	≥85%	≥85%								
Coating	HR(s+p)/2>99.9%@1030nm, AOI=0°	Uncoated								