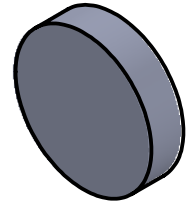
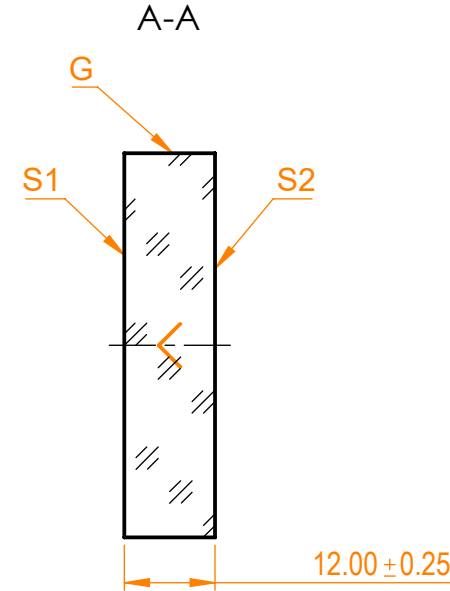
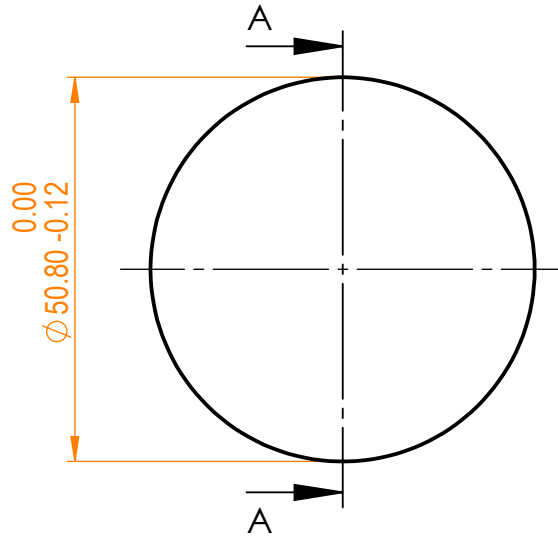


NOTES:

1. Material: UVFS;
2. G - Fine ground surface;
3. All dimensions are in mm;
4. Wedge: <3 minutes;
5. Protective chamfers: 0.3 mm x 45°;
6. Laser Induced Damage Threshold: >0.15 J/cm² at @515nm, 100Hz, 50fsec pulses;



Isometric view 1:2



Specifications are subject to change without notice
Dimensions are for reference only

Parameters	
	S1
Shape	Plano
Radius of curvature	Infinity
Surface flatness	$\lambda/10$ @633nm
Surface quality	20-10 s/d
Clear aperture	≥85%
Coating	HR(s+p)/2>99.9%@500-530nm, AOI=0°



UVFS pl mirror, D=50.8 mm, T=12 mm

Proprietary	Approved	Name	Date	Part number	Rev.	Scale
The information in this drawing is property of EKSMA Optics. Any reproduction in part or as a whole without the written permission of EKSMA Optics is prohibited.	Drawn	A.K.	2020.09.09	045-0515T12 HHR-i0	A	1:1
		V.S.	2020.09.09			