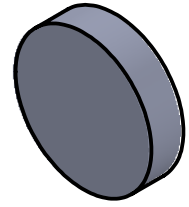
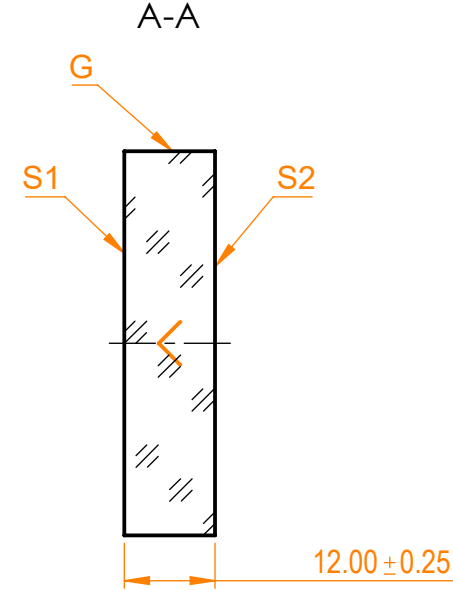
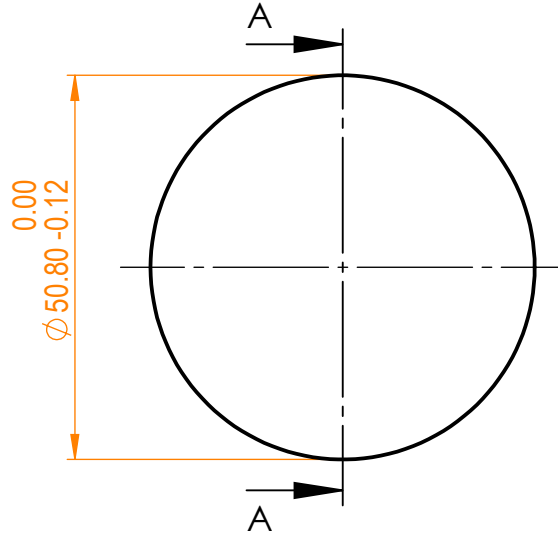


NOTES:


1. Material: UVFS;
2. G - Fine ground surface;
3. All dimensions are in mm;
4. Wedge: <3 minutes;
5. Protective chamfers: 0.3 mm x 45°;
6. Laser Induced Damage Threshold: >10 J/cm<sup>2</sup> at @355nm, 100Hz, 10nsec pulses;



Isometric view 1:2



Specifications are subject to change without notice  
 Dimensions are for reference only

Parameters	S1	S2	 UVFS pl mirror, D=50.8 mm, T=12 mm info@eksmaoptics.com www.eksmaoptics.com						
	Shape	Plano						Plano	
Radius of curvature	Infinity	Infinity							
Surface flatness	$\lambda/10$ @633nm	$\lambda$ @633nm per inch	Proprietary	Name	Date	Part number	Rev.	Scale	
Surface quality	20-10 s/d	80-50 s/d	The information in this drawing is property of EK SMA Optics. Any reproduction in part or as a whole without the written permission of EK SMA Optics is prohibited.	Approved	A.K.	2020.09.10	045-0350 UHHR-i0	A	1:1
Clear aperture	≥85%	≥85%		Drawn	V.S.	2020.09.10			
Coating	HR(s+p)/2>99.8%@355nm, AOI=0°	Uncoated							