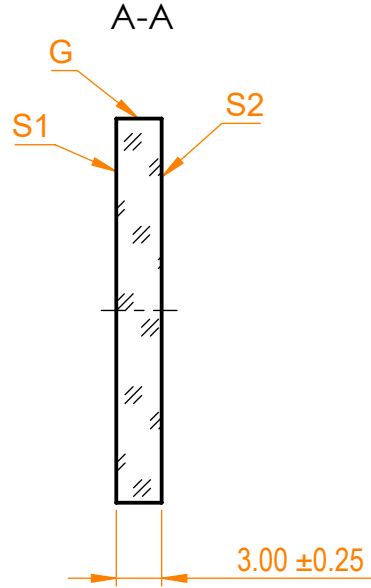
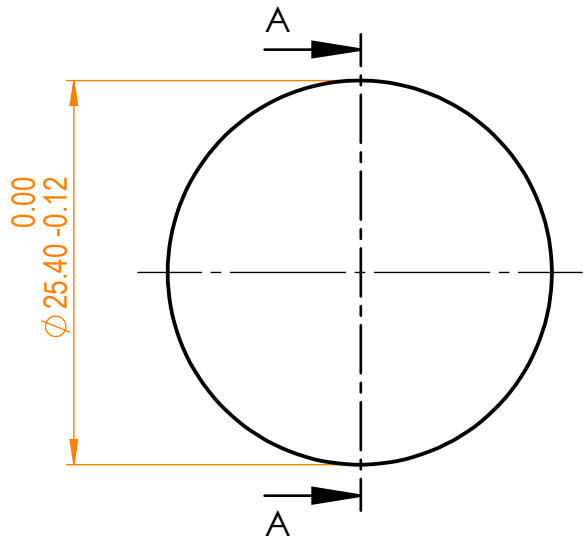
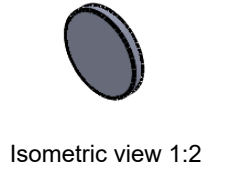


**NOTES:**

1. Material: UVFS;
2. Wedge: <30 arcsec;
3. LDT: >100 mJ/cm<sup>2</sup>, 50 fsec, 100Hz, 800 nm;
4. Coating adhesion and durability: MIL-C-675A;
5. Protective chamfers: 0.2 - 0.3 mm x 45°;
6. G - Fine ground surface;
7. All dimensions are in mm;



Specifications are subject to change without notice  
 Dimensions are for reference only

| Parameters       |  |                            |
|------------------|--|----------------------------|
|                  | S1   | S2                         |
| Shape            | Plano  | Plano                      |
| Surface quality  | 20-10 s/d  | 20-10 s/d                  |
| Surface flatness | $\lambda/10$ @632.8 nm                             | $\lambda/10$ @632.8 nm     |
| Clear aperture   | ≥85%   | ≥85%                       |
| Coating          | R>99%@1030nm +<br>T<93%@515nm, AOI=45°, Low<br>GDD | AR<0.25%@515nm,<br>AOI=45° |

info@eksmaoptics.com  
www.eksmaoptics.com

D=25.4 mm, Femtoline Harmonic Separator

| Proprietary   |          | Name | Date       | Part number | Rev. | Scale |
|---|----------|------|------------|-------------|------|-------|
| The information in this drawing is property of EKSMA Optics. Any reproduction in part or as a whole without the written permission of EKSMA Optics is prohibited. | Approved | A.K. | 2021.01.11 | 042-6515    | A    | 2:1   |
|   | Drawn    | M.B. | 2021.01.11 |             |      |       |