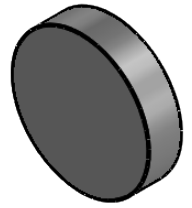
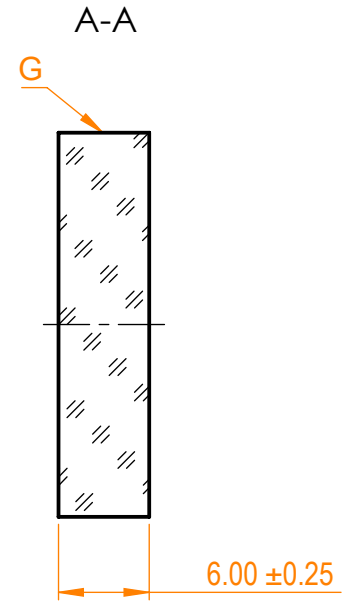
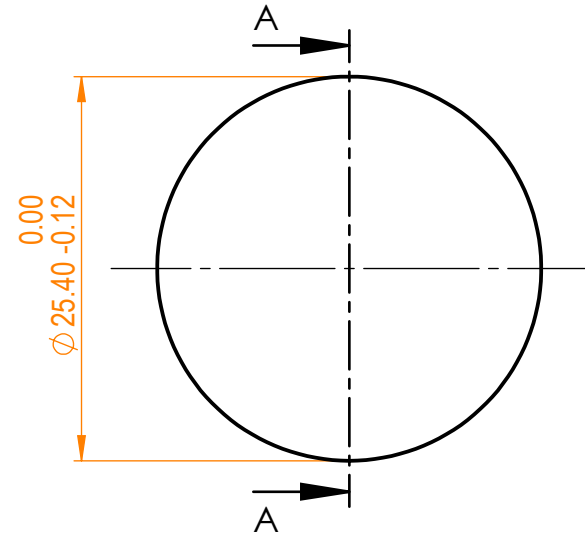


NOTES:  
 1. Material: UVFS;  
 2. G - Fine ground surface;  
 3. All dimensions are in mm;



Isometric view 1:1



Specifications are subject to change without notice  
 Dimensions are for reference only

Parameters

Shape	Plano
S1 & S2 Surface flatness	$\lambda/10$ @632.8 nm
S1 & S2 Surface quality	20-10 s/d
Protective chamfers	0.2 - 0.3 mm x 45°
Parallelism	30 arcsec
Coating S1	HR <sub>(s+p)/2</sub> >99.5%@1064nm, HT <sub>(s+p)/2</sub> >98%@808, AOI=22.5°
Coating S2	AR<0.25%, AOI=22.5°



UVFS pl mirror, D=25.4 mm, T=6 mm

Proprietary		Name	Date	Part number	Rev.	Scale
The information in this drawing is property of EKSMA Optics. Any reproduction in part or as a whole without the written permission of EKSMA Optics is prohibited.	Approved	A.K.	2020.01.15	042-6202HT	A	2:1
	Drawn	A.F.	2020.01.15			