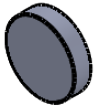
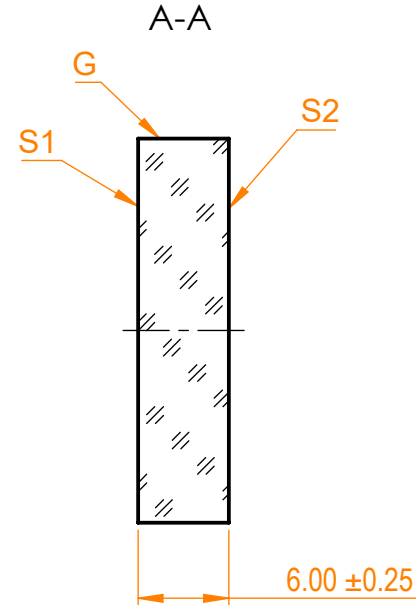
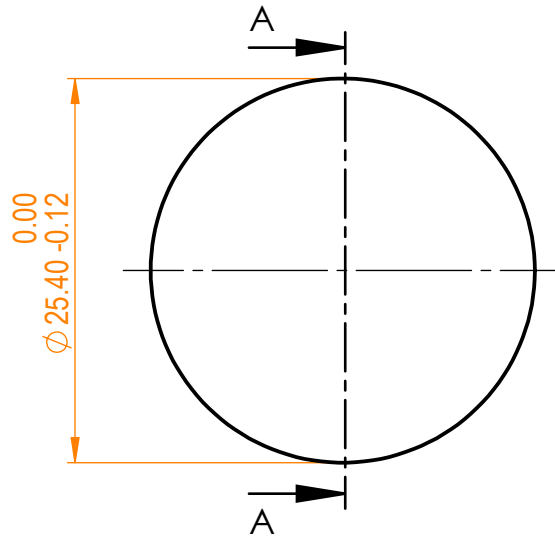


**NOTES:**

1. Material: UVFS;
2. Wedge: <30 arcsec;
3. LDT: >100 mJ/cm<sup>2</sup>, 50 fsec, 100Hz, 800 nm;
4. Coating adhesion and durability: MIL-C-675A;
5. G - Fine ground surface;
6. All dimensions are in mm;



Isometric view 1:2



Specifications are subject to change without notice  
 Dimensions are for reference only

| Parameters          |                                |                        |
|---------------------|--------------------------------|------------------------|
|                     | S1                             | S2                     |
| Shape               | Plano                          | Plano                  |
| Surface quality     | 20-10 s/d                      | 20-10 s/d              |
| Surface flatness    | $\lambda/10$ @632.8 nm         | $\lambda/10$ @632.8 nm |
| Protective chamfers | 0.2 - 0.3 mm x 45°             | 0.2 - 0.3 mm x 45°     |
| Clear aperture      | ≥85%                           | ≥85%                   |
| Coating             | R=60±3%@800nm, AOI=0°, Low GDD | AR<0.25%@800nm, AOI=0° |



D=25.4 mm, Femtoline Output Coupler

| Proprietary   |          | Name | Date       | Part number | Rev. | Scale |
|---|----------|------|------------|-------------|------|-------|
| The information in this drawing is property of EKSMA Optics. Any reproduction in part or as a whole without the written permission of EKSMA Optics is prohibited. | Approved | A.K. | 2021.01.12 | 042-1160    | A    | 2:1   |
|   | Drawn    | M.B. | 2021.01.12 |             |      |       |