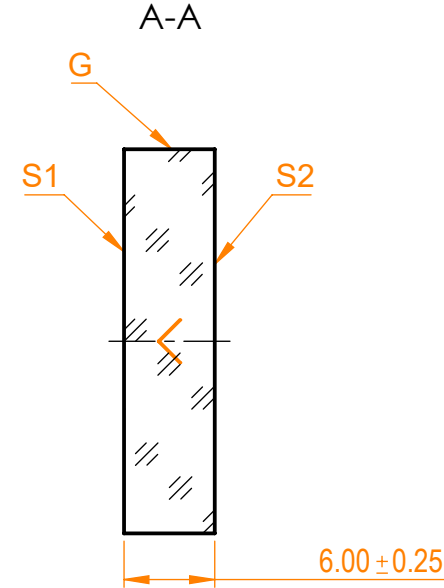
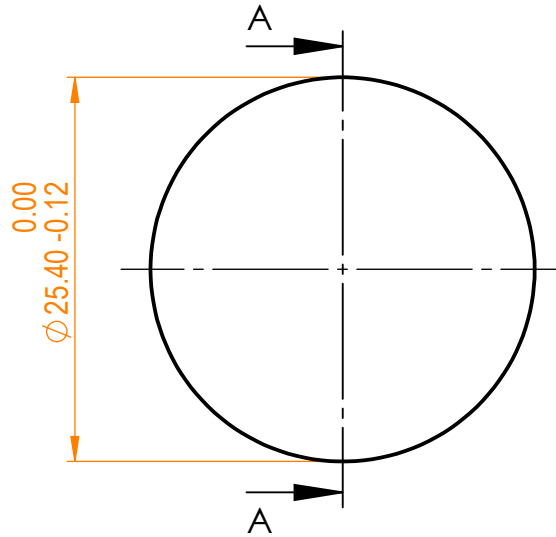


NOTES:

1. Material: UVFS;
2. G - Fine ground surface;
3. All dimensions are in mm;
4. Wedge: <3 minutes;
5. Protective chamfers: 0.3 mm x 45°;
6. Laser Induced Damage Threshold: >2.5 J/cm² at @515nm, 20kHz, 10psec pulses;



Isometric view 1:1



Specifications are subject to change without notice
Dimensions are for reference only

| Parameters | | |
|---------------------|--|---------------------------|
| | S1 | S2 |
| Shape | Plano | Plano |
| Radius of curvature | Infinity | Infinity |
| Surface flatness | $\lambda/10$ @633nm | λ @633nm per inch |
| Surface quality | 20-10 s/d | 80-50 s/d |
| Clear aperture | ≥85% | ≥85% |
| Coating | HR _{(s+p)/2} >99.9%@515nm, AOI=0° | Uncoated |



UVFS pl mirror, D=25.4 mm, T=6 mm

| Proprietary | Approved | Name | Date | Part number | Rev. | Scale |
|---|----------|------|------------|---------------------|------|-------|
| The information in this drawing is property of EKSMA Optics. Any reproduction in part or as a whole without the written permission of EKSMA Optics is prohibited. | Approved | A.K. | 2020.09.10 | 042-0515 PUHR-i0 | A | 2:1 |
| | Drawn | V.S. | 2020.09.10 | | | |