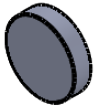
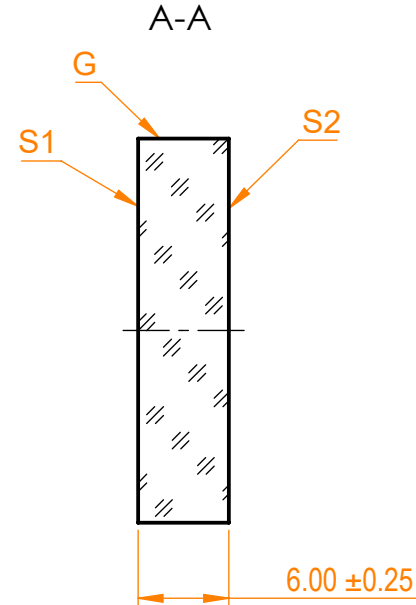
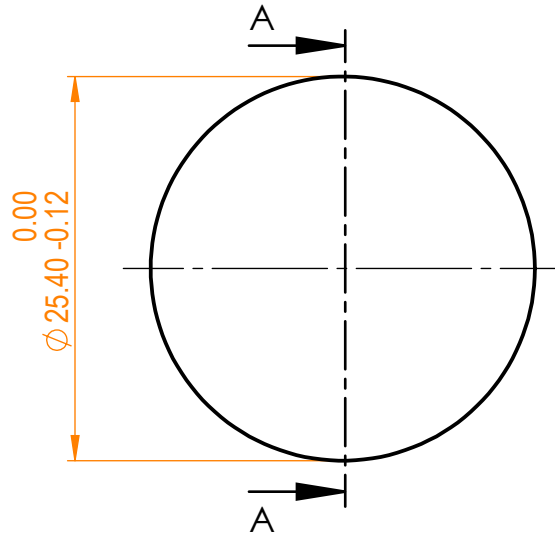


**NOTES:**

1. Material: UVFS;
2. Wedge: <30 arcsec;
3. LDT: >120 mJ/cm<sup>2</sup>, 50 fsec, 100Hz, 1030 nm;
4. Coating adhesion and durability: MIL-C-675A;
5. G - Fine ground surface;
6. All dimensions are in mm;



Isometric view 1:2



Specifications are subject to change without notice  
 Dimensions are for reference only

| Parameters          |                                 |                         |
|---------------------|---------------------------------|-------------------------|
|                     | S1                              | S2                      |
| Shape               | Plano                           | Plano                   |
| Surface quality     | 20-10 s/d                       | 20-10 s/d               |
| Surface flatness    | $\lambda/10$ @632.8 nm          | $\lambda/10$ @632.8 nm  |
| Protective chamfers | 0.2 - 0.3 mm x 45°              | 0.2 - 0.3 mm x 45°      |
| Clear aperture      | ≥85%                            | ≥85%                    |
| Coating             | R=95±3%@1030nm, AOI=0°, Low GDD | AR<0.25%@1030nm, AOI=0° |



D=25.4 mm, Femtoline Output Coupler

| Proprietary   | Name     | Date | Part number | Rev. | Scale |
|---|----------|------|-------------|------|-------|
| The information in this drawing is property of EKSMA Optics. Any reproduction in part or as a whole without the written permission of EKSMA Optics is prohibited. | Approved | A.K. | 2021.01.12  | A    | 2:1   |
|   | Drawn    | M.B. | 2021.01.12  |      |       |