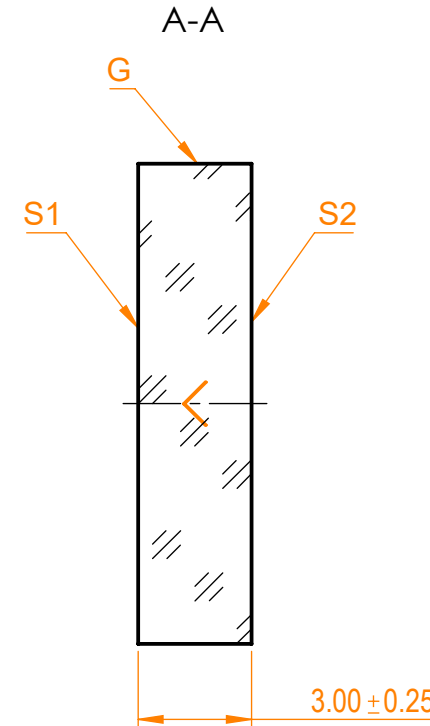
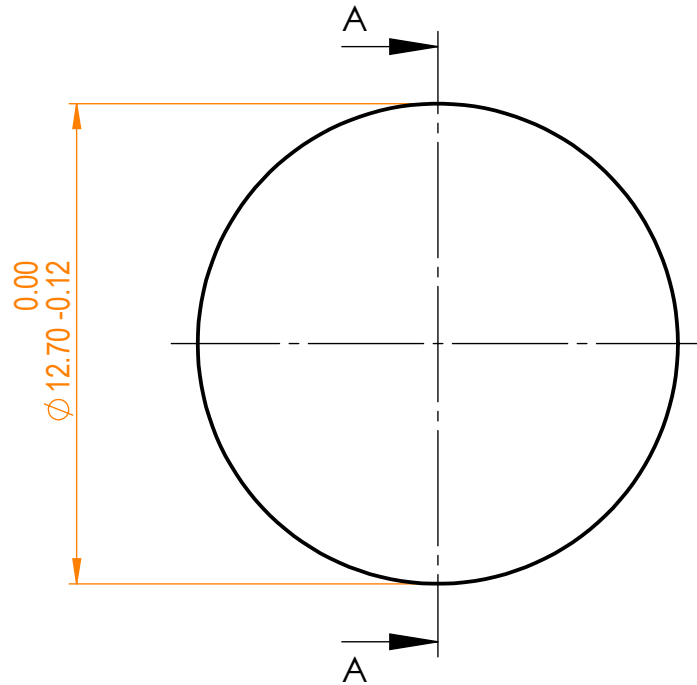


**NOTES:**

1. Material: UVFS;
2. G - Fine ground surface;
3. All dimensions are in mm;
4. Parallelism: <30 arcsec;
5. Protective chamfers: 0.3 mm x 45°;
6. Laser Induced Damage Threshold: >5 J/cm<sup>2</sup> at @1064nm, 10Hz, 8nsec pulses;



Isometric view 1:1



Specifications are subject to change without notice  
Dimensions are for reference only

Parameters		S1		S2		UVFS pl mirror, D=12.7 mm, T=3 mm						
Shape	Radius of curvature	Surface flatness	Surface quality	Clear aperture	Coating							Proprietary
		$\lambda/10$ @633nm	20-10 s/d	$\geq 85\%$	HR <sub>(s+p)/2</sub> >99.5%@1064nm, HT <sub>(s+p)/2</sub> >95%@808nm, AOI=45°	The information in this drawing is property of EKSMA Optics. Any reproduction in part or as a whole without the written permission of EKSMA Optics is prohibited.	Approved	A.K.	2020.09.11	041-6805	A	5:1
		$\lambda/10$ @633nm	20-10 s/d	$\geq 85\%$	AR<0.5%@1064nm, AOI=45°	Drawn	V.S.	2020.09.11				