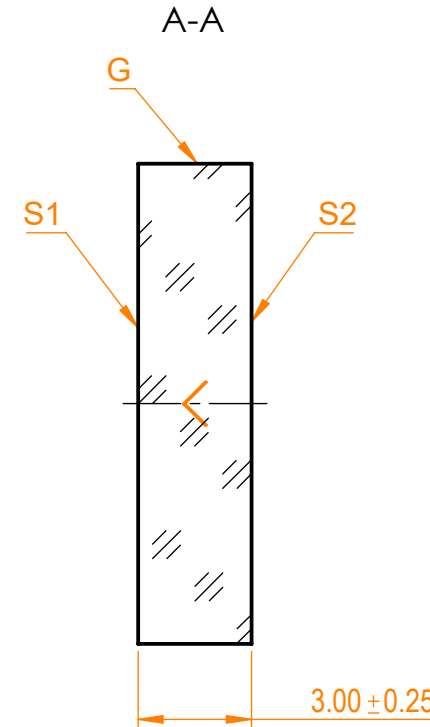
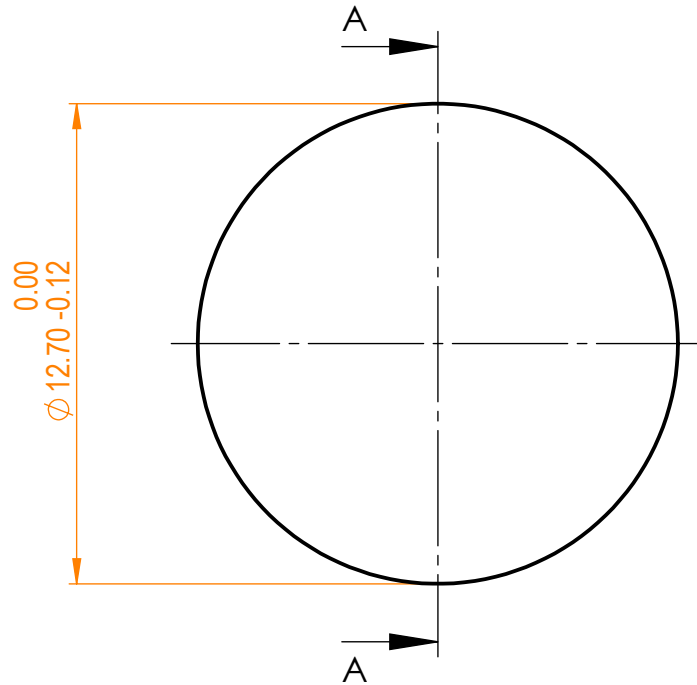


**NOTES:**


1. Material: UVFS;
2. G - Fine ground surface;
3. All dimensions are in mm;
4. Parallelism: <30 arcsec;
5. Protective chamfers: 0.3 mm x 45°;
6. Laser Induced Damage Threshold: >5 J/cm<sup>2</sup> at @1064nm, 10Hz, 8nsec pulses;



Isometric view 1:1



Specifications are subject to change without notice  
Dimensions are for reference only

Parameters		S1	S2	 UVFS pl mirror, D=12.7 mm, T=3 mm	
Shape	Plano	Plano	Plano		
Radius of curvature	Infinity	Infinity	Infinity		
Surface flatness	$\lambda/10$ @633nm	$\lambda/10$ @633nm	$\lambda/10$ @633nm	Name: A.K.    Date: 2020.09.11 Part number: 041-6800    Rev.: A    Scale: 5:1	
Surface quality	20-10 s/d	20-10 s/d	20-10 s/d		
Clear aperture	≥85%	≥85%	≥85%		
Coating	HR <sub>(s+p)/2</sub> >99.5%@1064nm, HT <sub>(s+p)/2</sub> >95%@808nm, AOI=0°	AR<0.5%@1064nm, AOI=0°	AR<0.5%@1064nm, AOI=0°		

Proprietary  The information in this drawing is property of EKSMA Optics. Any reproduction in part or as a whole without the written permission of EKSMA Optics is prohibited.	Approved	A.K.	2020.09.11	Name: V.S.    Date: 2020.09.11
	Drawn	V.S.	2020.09.11	