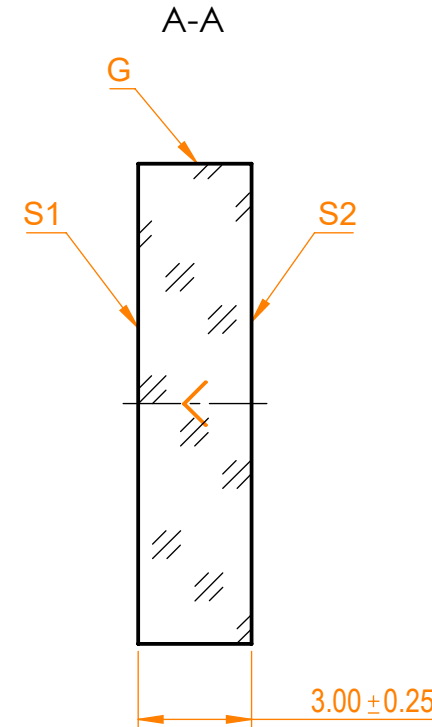
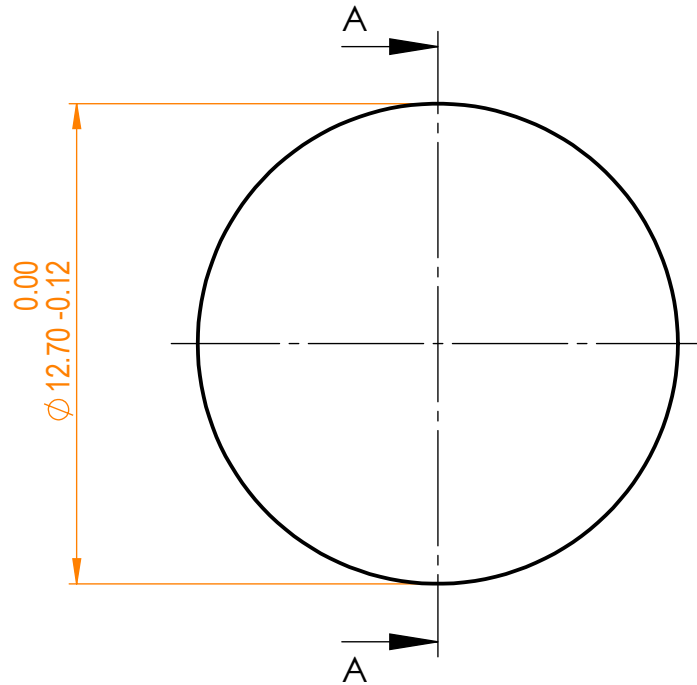


NOTES:


1. Material: N-BK7;
2. G - Fine ground surface;
3. All dimensions are in mm;
4. Parallelism: <30 arcsec;
5. Protective chamfers: 0.3 mm x 45°;
6. Laser Induced Damage Threshold: >2 J/cm² at @1064nm, 10Hz, 8nsec pulses;



Isometric view 1:1



Specifications are subject to change without notice
Dimensions are for reference only

		Parameters		 info@eksmaoptics.com www.eksmaoptics.com		N-BK7 pl mirror, D=12.7 mm, T=3 mm				
		S1	S2			Name	Date	Part number	Rev.	Scale
Shape		Plano	Plano	Proprietary The information in this drawing is property of EKSMA Optics. Any reproduction in part or as a whole without the written permission of EKSMA Optics is prohibited.	Approved	A.K.	2020.09.11	041-6605	A	5:1
Radius of curvature		Infinity	Infinity							
Surface flatness		λ/10 @633nm	λ/10 @633nm							
Surface quality		20-10 s/d	20-10 s/d							
Clear aperture		≥85%	≥85%							
Coating		HR _{(s+p)/2} >99.5%@1064nm, HT _{(s+p)/2} >90%@633nm, AOI=45°	AR<0.5%@1064nm, AOI=45°							