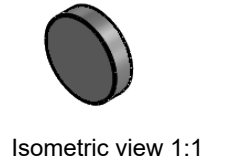
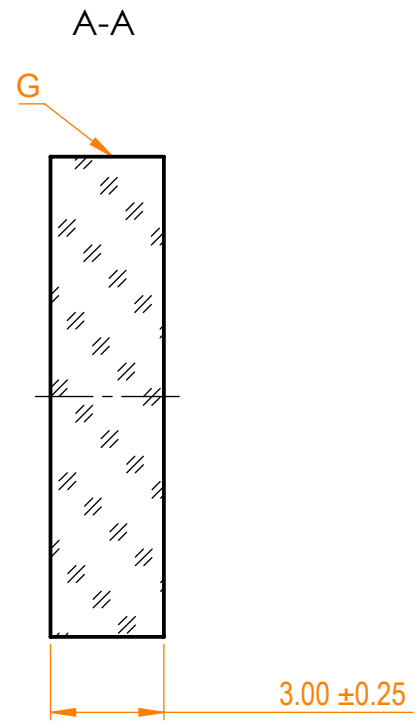
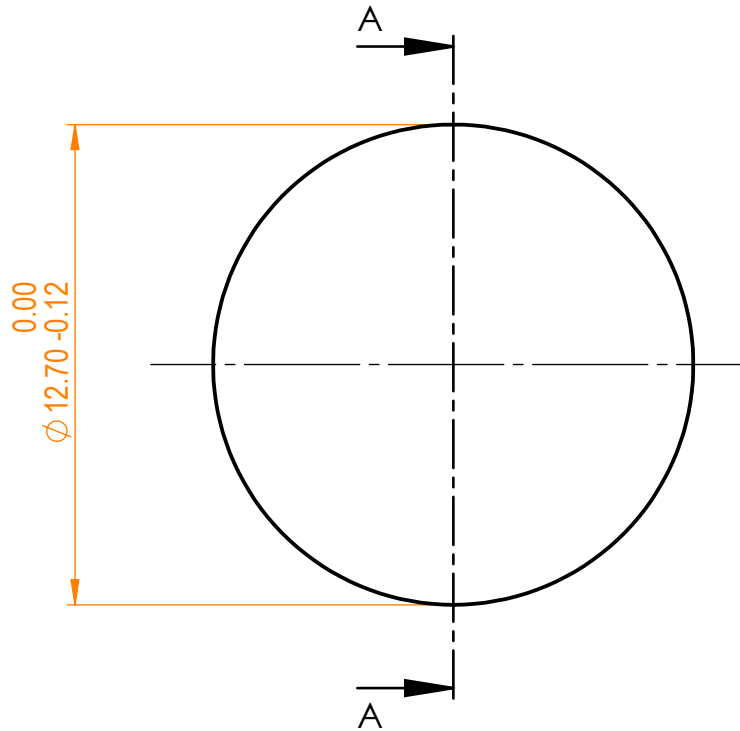


NOTES:
 1. Material: UVFS;
 2. G - Fine ground surface;
 3. All dimensions are in mm;



Specifications are subject to change without notice
 Dimensions are for reference only

Parameters		EKSMA OPTICS		UVFS pl mirror, D=12.7 mm, T=3 mm				
Shape	Plano	 info@eksmaoptics.com www.eksmaoptics.com		Name	Date	Part number	Rev.	Scale
S1 & S2 Surface flatness	$\lambda/10$ @632.8 nm							
S1 & S2 Surface quality	20-10 s/d	Proprietary	Approved	A.K.	2020.01.15	041-6200HT	A	5:1
Protective chamfers	0.2 - 0.3 mm x 45°		Drawn	A.F.	2020.01.15			
Parallelism	30 arcsec	The information in this drawing is property of EKSMA Optics. Any reproduction in part or as a whole without the written permission of EKSMA Optics is prohibited.						
Coating S1	HR _{(s+p)/2} >99,5%@1028-1080nm, HT _{(s+p)/2} >98%@965-982, AOI=0°							
Coating S2	AR<0.10%, AOI=0°							