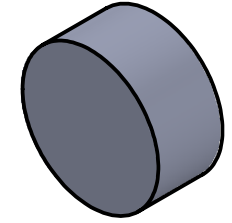
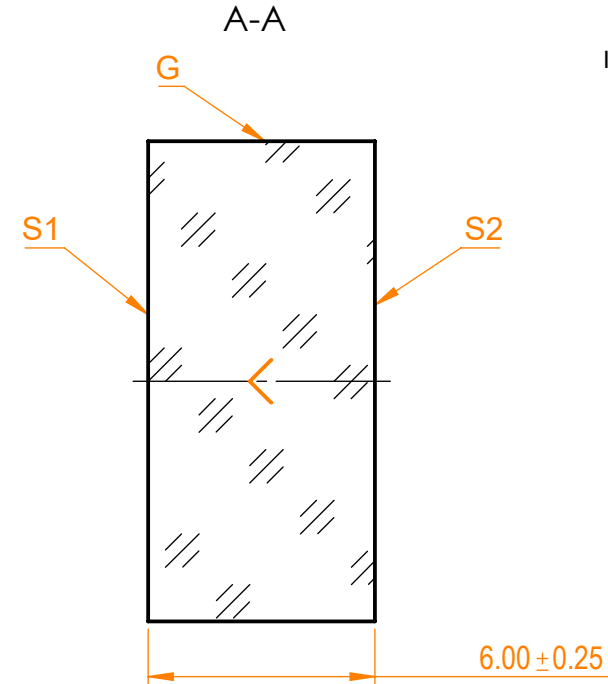
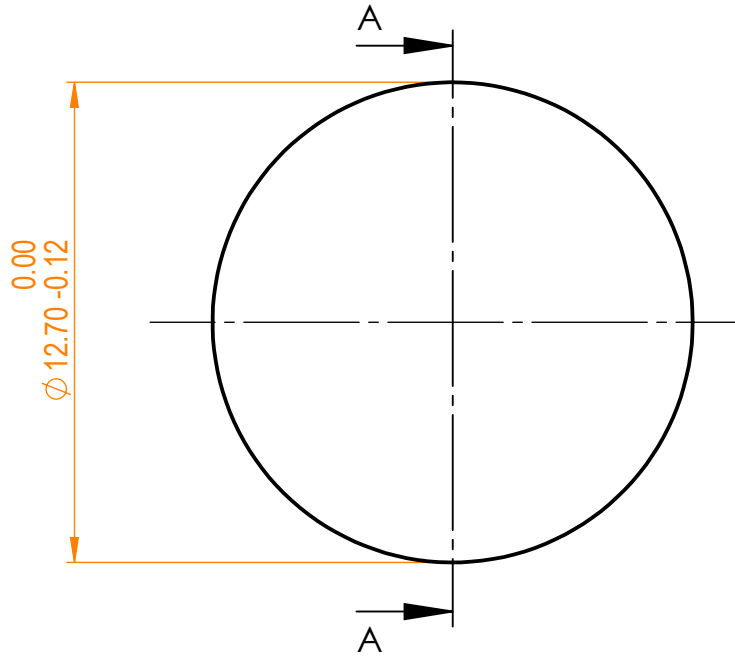


**NOTES:**


1. Material: UVFS;
2. G - Fine ground surface;
3. All dimensions are in mm;
4. Wedge: <3 minutes;
5. Protective chamfers: 0.3 mm x 45°;
6. Laser Induced Damage Threshold: >1.5 J/cm<sup>2</sup> at @1030nm, 20kHz, 10psec pulses;



Isometric view 2:1



Specifications are subject to change without notice  
Dimensions are for reference only

Parameters			 info@eksmaoptics.com www.eksmaoptics.com		UVFS pl mirror, D=12.7 mm, T=6 mm				
	S1	S2			Proprietary	Name	Date	Part number	Rev.
Shape	Plano	Plano	The information in this drawing is property of EKSMA Optics. Any reproduction in part or as a whole without the written permission of EKSMA Optics is prohibited.	Approved	A.K.	2020.09.10	041-1030 PHR-i0-45	A	5:1
Radius of curvature	Infinity	Infinity			Drawn	V.S.			
Surface flatness	$\lambda/10$ @633nm	$\lambda$ @633nm per inch							
Surface quality	20-10 s/d	80-50 s/d							
Clear aperture	≥85%	≥85%							
Coating	HR <sub>(s+p)/2</sub> >99.9%@1030nm, AOI=0-45°	Uncoated							