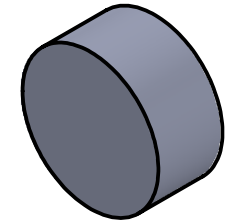
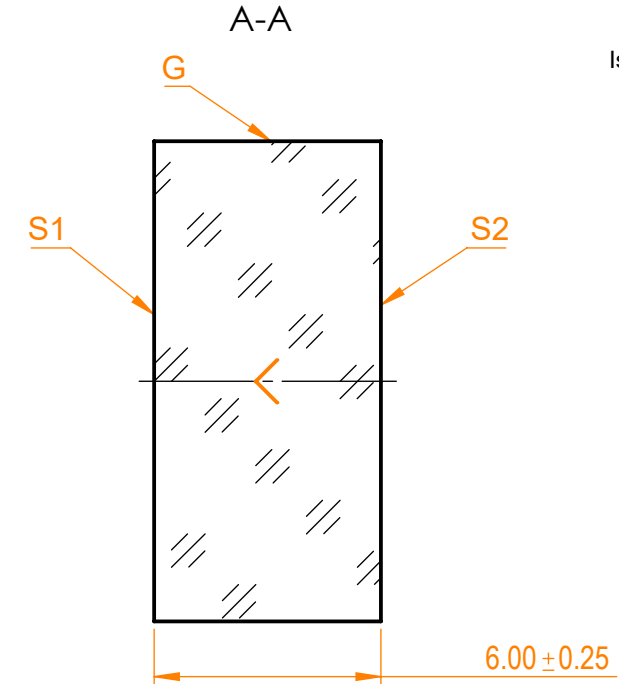
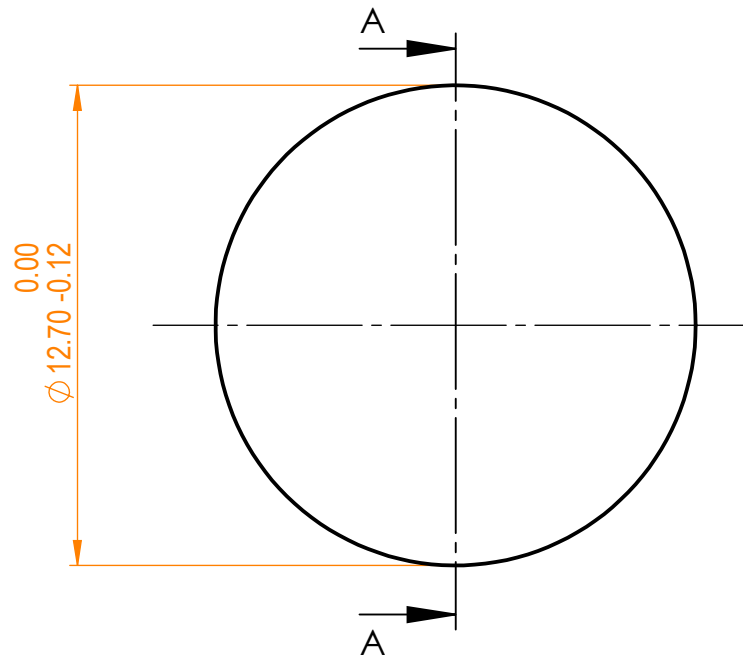


NOTES:


1. Material: UVFS;
2. G - Fine ground surface;
3. All dimensions are in mm;
4. Wedge: <3 minutes;
5. Protective chamfers: 0.3 mm x 45°;
6. Laser Induced Damage Threshold: >0.3 J/cm² at @800nm, 100Hz, 50fsec pulses;



Isometric view 2:1



Specifications are subject to change without notice
 Dimensions are for reference only

		Parameters				UVFS pl mirror, D=12.7 mm, T=6 mm					
		S1	S2								
Shape		Plano	Plano	info@eksmaoptics.com www.eksmaoptics.com		Proprietary	Name	Date	Part number	Rev.	Scale
Radius of curvature		Infinity	Infinity				Approved	A.K.	2020.09.09	041-0800T6 UHHR	A
Surface flatness		$\lambda/10$ @633nm	λ @633nm per inch			The information in this drawing is property of EKSMA Optics. Any reproduction in part or as a whole without the written permission of EKSMA Optics is prohibited.	Drawn	V.S.	2020.09.09		
Surface quality		20-10 s/d	80-50 s/d								
Clear aperture		≥85%	≥85%								
Coating		HR(s+p)/2>99.9%@760-840nm, AOI=45°	Uncoated								