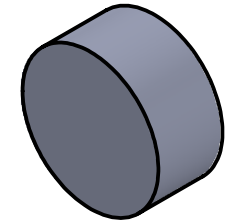
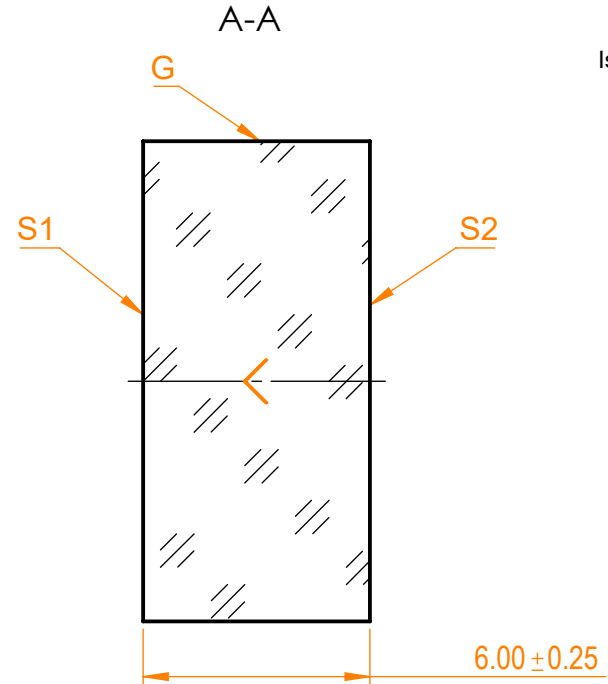
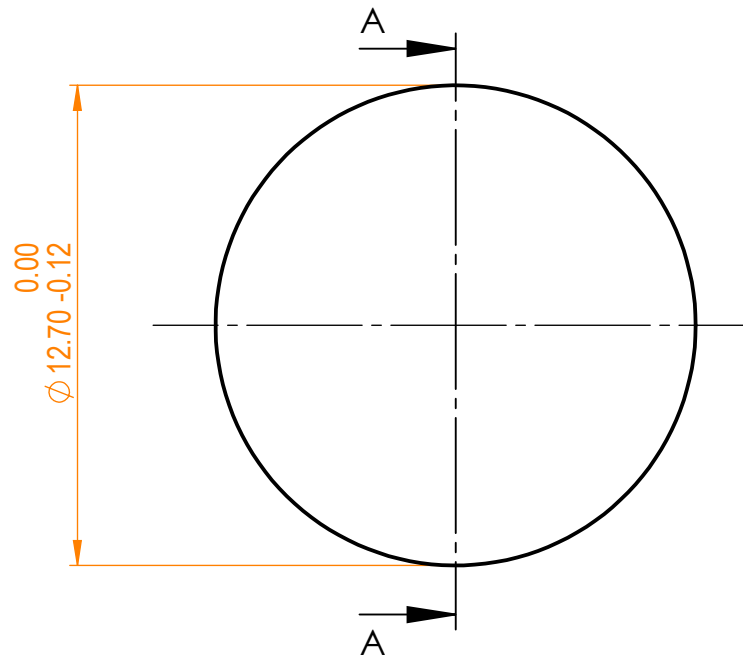


NOTES:


1. Material: UVFS;
2. G - Fine ground surface;
3. All dimensions are in mm;
4. Wedge: <3 minutes;
5. Protective chamfers: 0.3 mm x 45°;
6. Laser Induced Damage Threshold: >30 J/cm² at @800nm, 100Hz, 10nsec pulses;



Isometric view 2:1



Specifications are subject to change without notice
Dimensions are for reference only

Parameters		S1	S2	 UVFS pl mirror, D=12.7 mm, T=6 mm																																								
Shape	Plano	Plano	Plano						<table border="1"> <tr> <td>Proprietary</td> <td></td> <td>Name</td> <td>Date</td> <td>Part number</td> <td>Rev.</td> <td>Scale</td> </tr> <tr> <td>Radius of curvature</td> <td>Infinity</td> <td>Infinity</td> <td></td> <td rowspan="2">041-0800NT6 UHHR-i0</td> <td rowspan="2">A</td> <td rowspan="2">5:1</td> </tr> <tr> <td>Surface flatness</td> <td>$\lambda/10$ @633nm</td> <td>λ@633nm per inch</td> <td>Approved</td> <td>A.K.</td> <td>2020.09.10</td> </tr> <tr> <td>Surface quality</td> <td>20-10 s/d</td> <td>80-50 s/d</td> <td>Drawn</td> <td>V.S.</td> <td>2020.09.10</td> </tr> <tr> <td>Clear aperture</td> <td>≥85%</td> <td>≥85%</td> <td colspan="4" rowspan="2"> The information in this drawing is property of EKSMA Optics. Any reproduction in part or as a whole without the written permission of EKSMA Optics is prohibited. </td> </tr> <tr> <td>Coating</td> <td>HR(s+p)/2>99.9%@800nm, AOI=0°</td> <td>Uncoated</td> </tr> </table>					Proprietary		Name	Date	Part number	Rev.	Scale	Radius of curvature	Infinity	Infinity		041-0800NT6 UHHR-i0	A	5:1	Surface flatness	$\lambda/10$ @633nm	λ @633nm per inch	Approved	A.K.	2020.09.10	Surface quality	20-10 s/d	80-50 s/d	Drawn	V.S.	2020.09.10	Clear aperture	≥85%	≥85%	The information in this drawing is property of EKSMA Optics. Any reproduction in part or as a whole without the written permission of EKSMA Optics is prohibited.	
Proprietary		Name	Date	Part number	Rev.	Scale																																						
Radius of curvature	Infinity	Infinity		041-0800NT6 UHHR-i0	A	5:1																																						
Surface flatness	$\lambda/10$ @633nm	λ @633nm per inch	Approved				A.K.	2020.09.10																																				
Surface quality	20-10 s/d	80-50 s/d	Drawn	V.S.	2020.09.10																																							
Clear aperture	≥85%	≥85%	The information in this drawing is property of EKSMA Optics. Any reproduction in part or as a whole without the written permission of EKSMA Optics is prohibited.																																									
Coating	HR(s+p)/2>99.9%@800nm, AOI=0°	Uncoated																																										