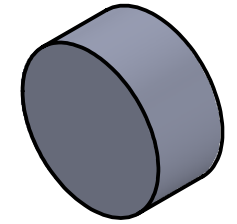
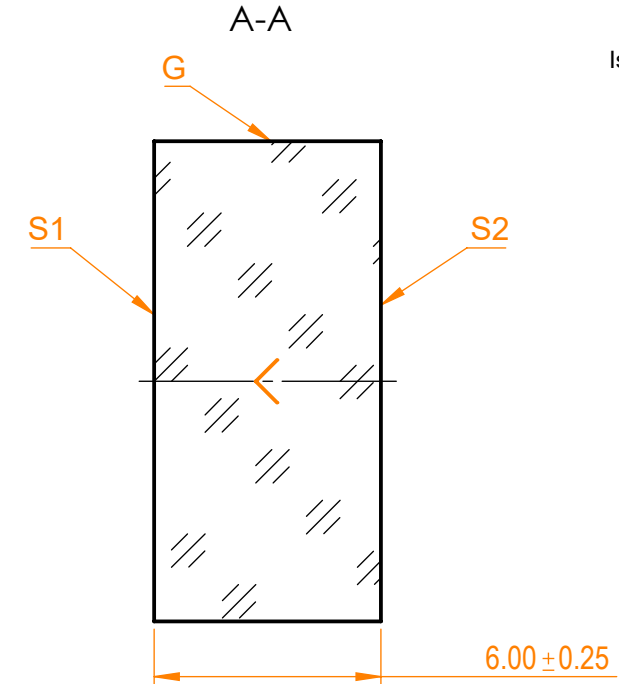
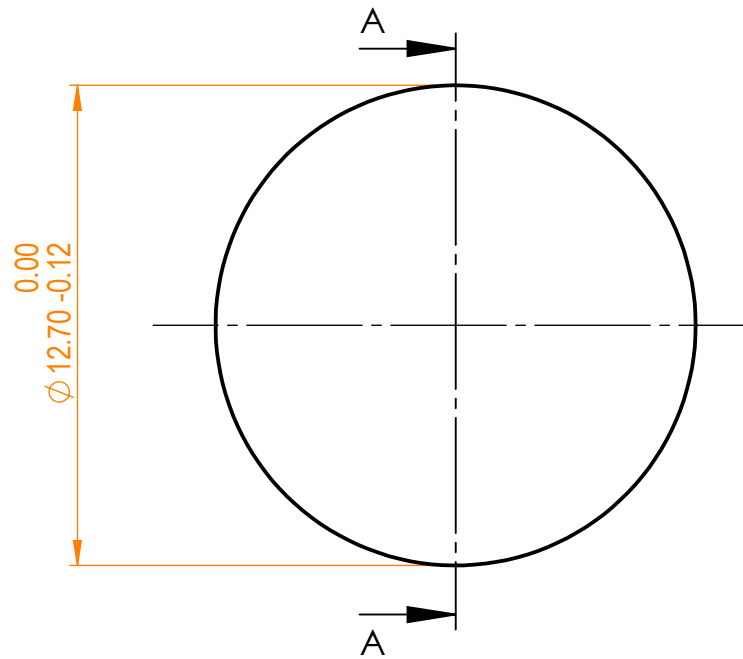


NOTES:


1. Material: UVFS;
2. G - Fine ground surface;
3. All dimensions are in mm;
4. Wedge: <3 minutes;
5. Protective chamfers: 0.3 mm x 45°;
6. Laser Induced Damage Threshold: >0.15 J/cm² at @515nm, 100Hz, 50fsec pulses;



Isometric view 2:1



Specifications are subject to change without notice
 Dimensions are for reference only

| Parameters | | | |  | | UVFS pl mirror, D=12.7 mm, T=6 mm | | | | |
|---------------------|------------------------------------|---------------------------|--|---|----------|-----------------------------------|------------|-------------------|------|-------|
| | S1 | S2 | | | | | | | | |
| Shape | Plano | Plano | | | | | | | | |
| Radius of curvature | Infinity | Infinity | | | | | | | | |
| Surface flatness | $\lambda/10$ @633nm | λ @633nm per inch | | | | | | | | |
| Surface quality | 20-10 s/d | 80-50 s/d | | | | | | | | |
| Clear aperture | ≥85% | ≥85% | | | | | | | | |
| Coating | HR(s+p)/2>99.9%@500-530nm, AOI=45° | Uncoated | | | | | | | | |
| | | | | Proprietary | | Name | Date | Part number | Rev. | Scale |
| | | | | The information in this drawing is property of EKSMA Optics. Any reproduction in part or as a whole without the written permission of EKSMA Optics is prohibited. | Approved | A.K. | 2020.09.09 | 041-0515T6 HHR | A | 5:1 |
| | | | | | Drawn | V.S. | 2020.09.09 | | | |