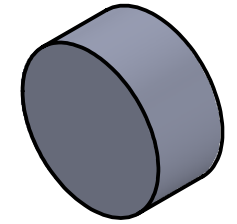
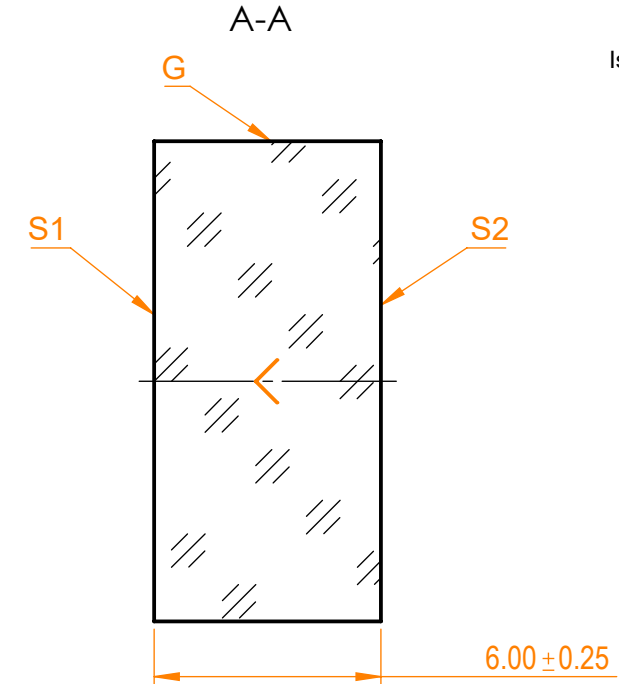
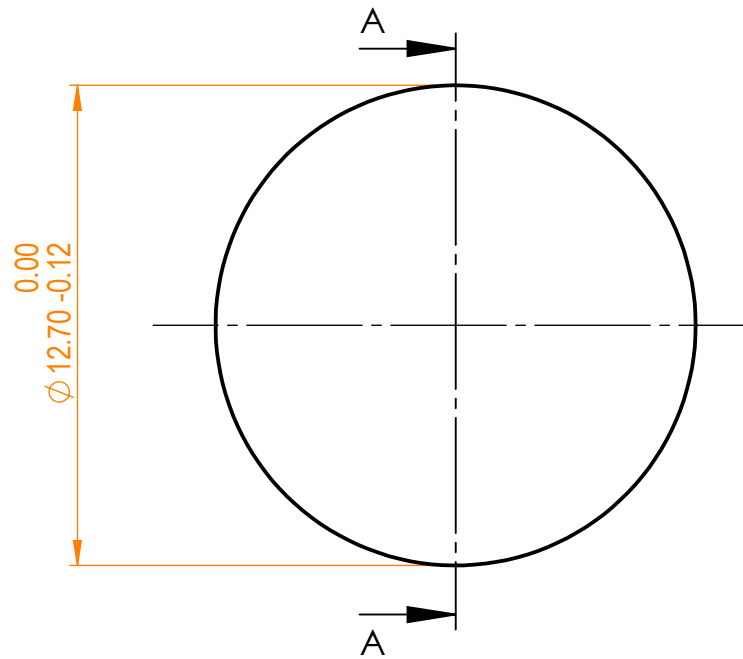


**NOTES:**


1. Material: UVFS;
2. G - Fine ground surface;
3. All dimensions are in mm;
4. Wedge: <3 minutes;
5. Protective chamfers: 0.3 mm x 45°;
6. Laser Induced Damage Threshold: >1 J/cm<sup>2</sup> at @515nm, 20kHz, 10psec pulses;



Isometric view 2:1



Specifications are subject to change without notice  
Dimensions are for reference only

Parameters		S1	S2	 UVFS pl mirror, D=12.7 mm, T=6 mm					
Shape	Plano	Plano	Plano						Proprietary Approved Drawn
Radius of curvature	Infinity	Infinity	Infinity	A.K.	2020.09.10	041-0515 PHR-i0	A	5:1	
Surface flatness	$\lambda/10$ @633nm	$\lambda$ @633nm per inch		V.S.	2020.09.10				
Surface quality	20-10 s/d	80-50 s/d							
Clear aperture	≥85%	≥85%							
Coating	HR <sub>(s+p)/2</sub> >99.9%@515nm, AOI=0°	Uncoated							