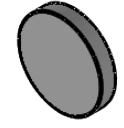
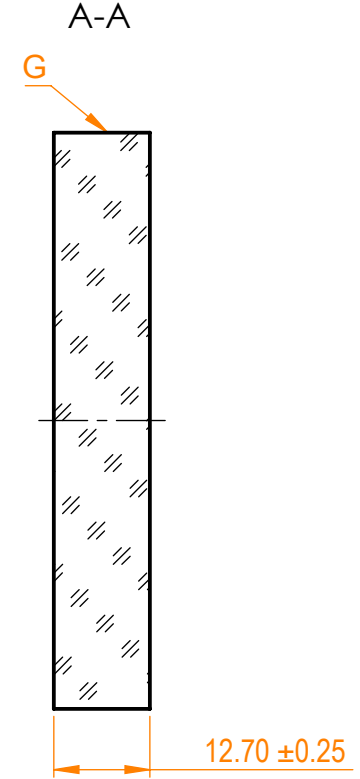
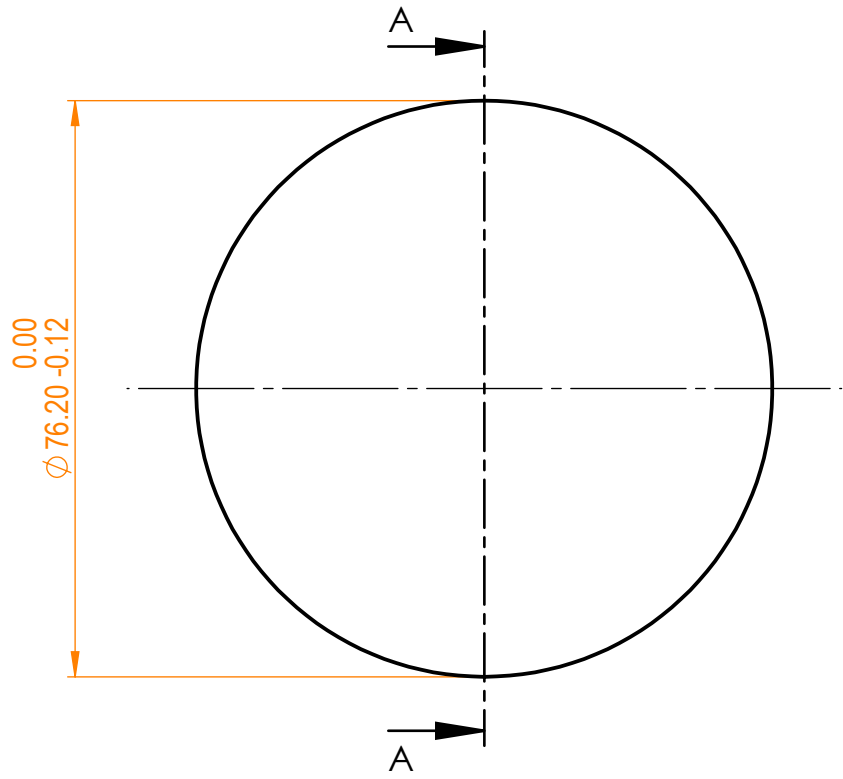


NOTES:
 1. Material: BK7
 2. G - Fine ground surface;
 3. All dimensions are in mm;



Isometric view 1:5



Specifications are subject to change without notice
 Dimensions are for reference only

Parameters

| Shape | Plano |
|---------------------|--------------------------------------|
| S1 Surface flatness | $\lambda/10$ @632.8 nm |
| S1 Surface quality | 20-10 s/d |
| S2 Surface quality | Commercial polish |
| Clear aperture | $\geq 85\%$ |
| Protective chamfers | 0.2 - 0.3 mm x 45° |
| Wedge | <3 minutes |
| Coating | HR(s+p)/2 > 99.8% @500-530nm, AOI=0° |



BK7 pl mirror, D=76.2 mm, T=12.7 mm

| Proprietary | Approved | Name | Date | Part number | Rev. | Scale |
|---|----------|------|------------|-------------|------|-------|
| The information in this drawing is property of EKSMA Optics. Any reproduction in part or as a whole without the written permission of EKSMA Optics is prohibited. | Approved | A.K. | 2019.12.18 | 037-0515-i0 | A | 1:1 |
| | Drawn | A.F. | 2019.12.18 | | | |