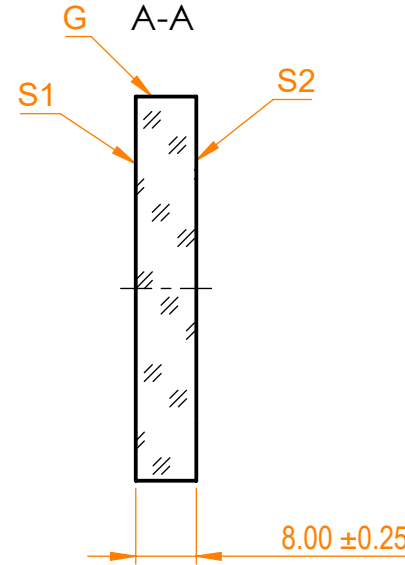
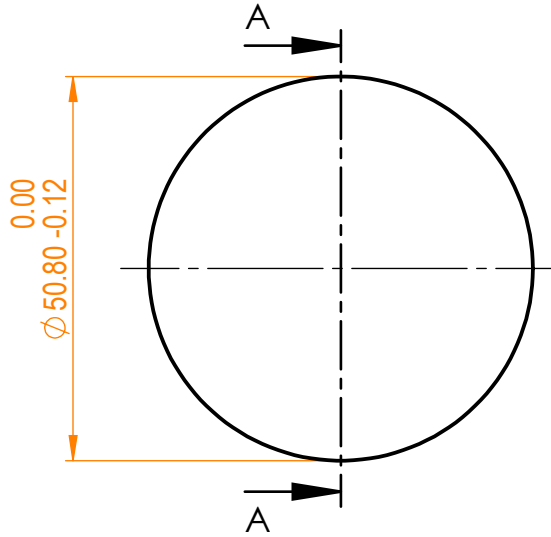


**NOTES:**

1. Material: UVFS;
2. Wedge: <30 arcsec;
3. LDT: >120 mJ/cm<sup>2</sup>, 50 fsec, 100Hz, 1030 nm;
4. Coating adhesion and durability: MIL-C-675A;
5. G - Fine ground surface;
6. All dimensions are in mm;



Isometric view 1:2



Specifications are subject to change without notice  
Dimensions are for reference only

| Parameters          |                                   |                          |
|---------------------|-----------------------------------|--------------------------|
|                     | S1                                | S2                       |
| Shape               | Plano                             | Plano                    |
| Surface quality     | 20-10 s/d                         | 20-10 s/d                |
| Surface flatness    | $\lambda/10$ @632.8 nm            | $\lambda/10$ @632.8 nm   |
| Protective chamfers | 0.2 - 0.3 mm x 45°                | 0.2 - 0.3 mm x 45°       |
| Clear aperture      | ≥85%                              | ≥85%                     |
| Coating             | Rp=30±3%@1030nm, AOI=45°, Low GDD | ARp<0.5%@1030nm, AOI=45° |



D=50.8 mm, Femtoline Laser Beamsplitter

| Proprietary   |          | Name | Date       | Part number | Rev. | Scale |
|---|----------|------|------------|-------------|------|-------|
| The information in this drawing is property of EKSMA Optics. Any reproduction in part or as a whole without the written permission of EKSMA Optics is prohibited. | Approved | A.K. | 2020.11.12 | 035-7430P   | A    | 2:1   |
|   | Drawn    | M.B. | 2020.11.12 |             |      |       |