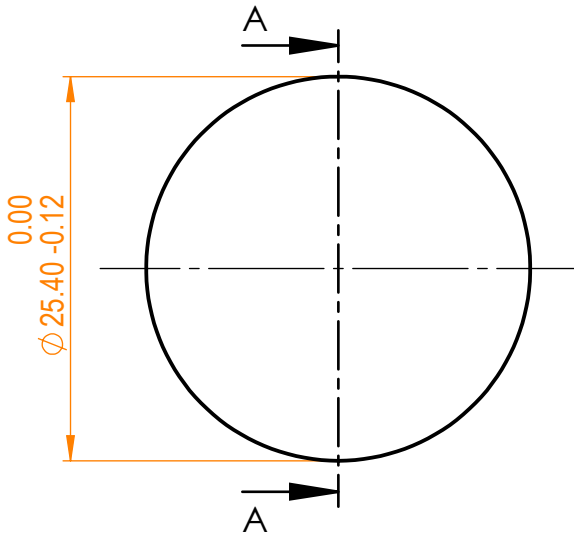


NOTES:  
 1. Material: BK7;  
 2. G - Fine ground surface;  
 3. All dimensions are in mm;



Isometric view 1:1



Specifications are subject to change without notice  
 Dimensions are for reference only

| Parameters          |  |
|---------------------|--|
| Shape               | Plano  |
| S1 Surface flatness | $\lambda/10$ @632.8 nm                             |
| S1 Surface quality  | 20-10 s/d  |
| S2 Surface quality  | Commercial polish                                  |
| Clear aperture      | $\geq 85\%$  |
| Protective chamfers | 0.2 - 0.3 mm x 45°                                 |
| Wedge               | <3 minutes   |
| Coating             | HR <sub>(s+p)/2</sub> >99.5% @1047-1064nm, AOI=45° |



BK7 pl mirror, D=25.4 mm, T=6 mm

| Proprietary   | Approved | Name | Date       | Part number | Rev. | Scale |
|---|----------|------|------------|-------------|------|-------|
| The information in this drawing is property of EKSMA Optics. Any reproduction in part or as a whole without the written permission of EKSMA Optics is prohibited. | Drawn    | A.K. | 2019.12.11 | 032-1060    | A    | 2:1   |
|   |          | A.F. | 2019.12.11 |             |      |       |