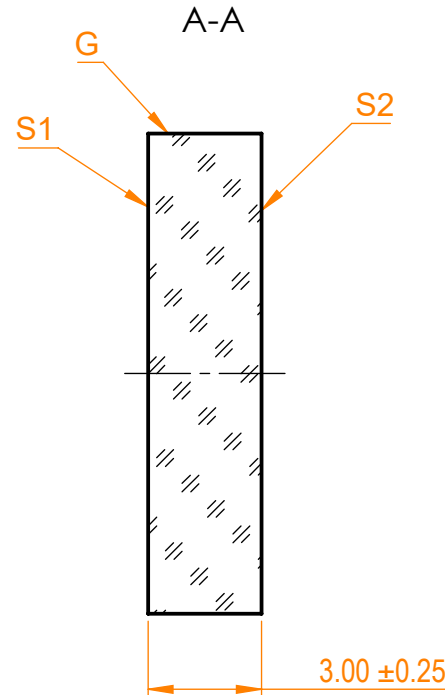


**NOTES:**

1. Material: UVFS;
2. Wedge: <30 arcsec;
3. LDT: >30 mJ/cm<sup>2</sup>, 50 fsec, 100Hz, 343 nm;
4. Coating adhesion and durability: MIL-C-675A;
5. G - Fine ground surface;
6. All dimensions are in mm;



Isometric view 1:1



Specifications are subject to change without notice  
 Dimensions are for reference only

| Parameters          |                                  |                         |
|---------------------|----------------------------------|-------------------------|
|                     | S1                               | S2                      |
| Shape               | Plano                            | Plano                   |
| Surface quality     | 20-10 s/d                        | 20-10 s/d               |
| Surface flatness    | $\lambda/10$ @632.8 nm           | $\lambda/10$ @632.8 nm  |
| Protective chamfers | 0.2 - 0.3 mm x 45°               | 0.2 - 0.3 mm x 45°      |
| Clear aperture      | ≥85%                             | ≥85%                    |
| Coating             | Rp=50±3%@343nm, AOI=45°, Low GDD | ARp<0.5%@343nm, AOI=45° |



D=12.7 mm, Femtoline Laser Beamsplitter

| Proprietary   |          | Name | Date       | Part number | Rev. | Scale |
|---|----------|------|------------|-------------|------|-------|
| The information in this drawing is property of EKSMA Optics. Any reproduction in part or as a whole without the written permission of EKSMA Optics is prohibited. | Approved | A.K. | 2020.11.26 | 031-7650P   | A    | 5:1   |
|   | Drawn    | M.B. | 2020.11.26 |             |      |       |