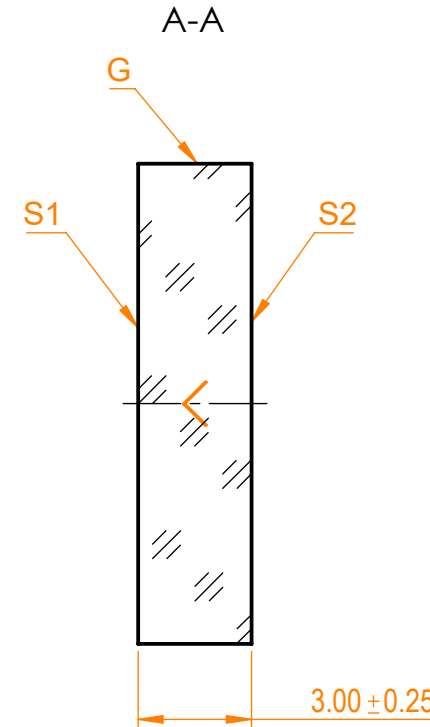
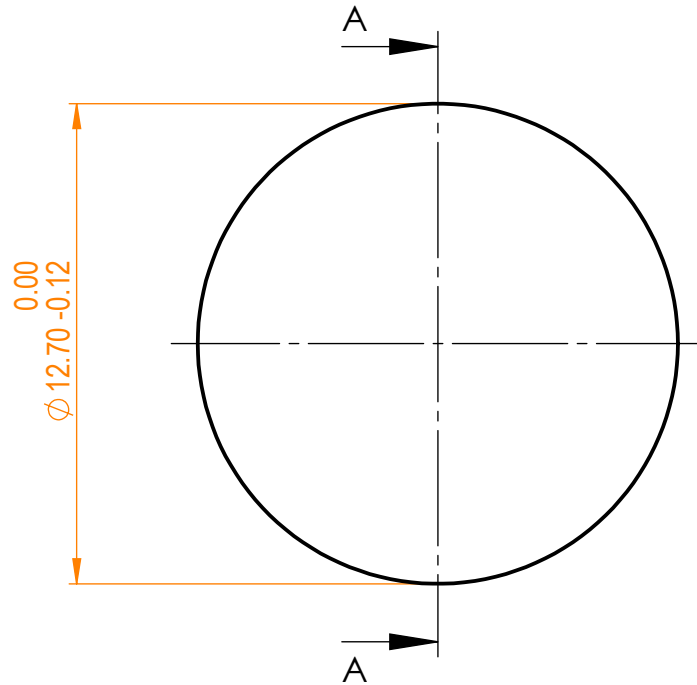


**NOTES:**


1. Material: N-BK7;
2. G - Fine ground surface;
3. All dimensions are in mm;
4. Parallelism: <30 arcsec;
5. Protective chamfers: 0.3 mm x 45°;
6. Laser Induced Damage Threshold: >2 J/cm<sup>2</sup> at @1064nm, 10Hz, 8nsec pulses;



Isometric view 1:1



Specifications are subject to change without notice  
Dimensions are for reference only

Parameters				 info@eksmaoptics.com www.eksmaoptics.com		N-BK7 pl mirror, D=12.7 mm, T=3 mm				
	S1	S2								
Shape	Plano	Plano		Proprietary	Name	Date	Part number	Rev.	Scale	
Radius of curvature	Infinity	Infinity			A.K.	2020.09.11	031-6800	A	5:1	
Surface flatness	$\lambda/10$ @633nm	$\lambda/10$ @633nm		Approved	V.S.	2020.09.11				
Surface quality	20-10 s/d	20-10 s/d			The information in this drawing is property of EKSMA Optics. Any reproduction in part or as a whole without the written permission of EKSMA Optics is prohibited.	Drawn				
Clear aperture	≥85%	≥85%								
Coating	HR <sub>(s+p)/2</sub> >99.5%@1064nm, HT <sub>(s+p)/2</sub> >95%@808nm, AOI=0°	AR<0.5%@1064nm, AOI=0°								