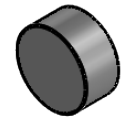
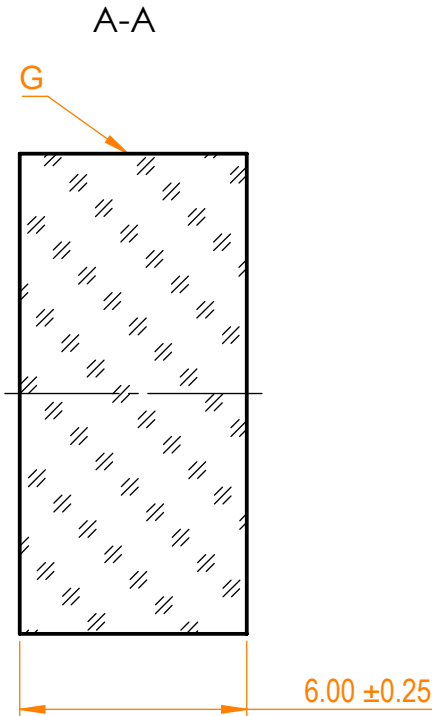
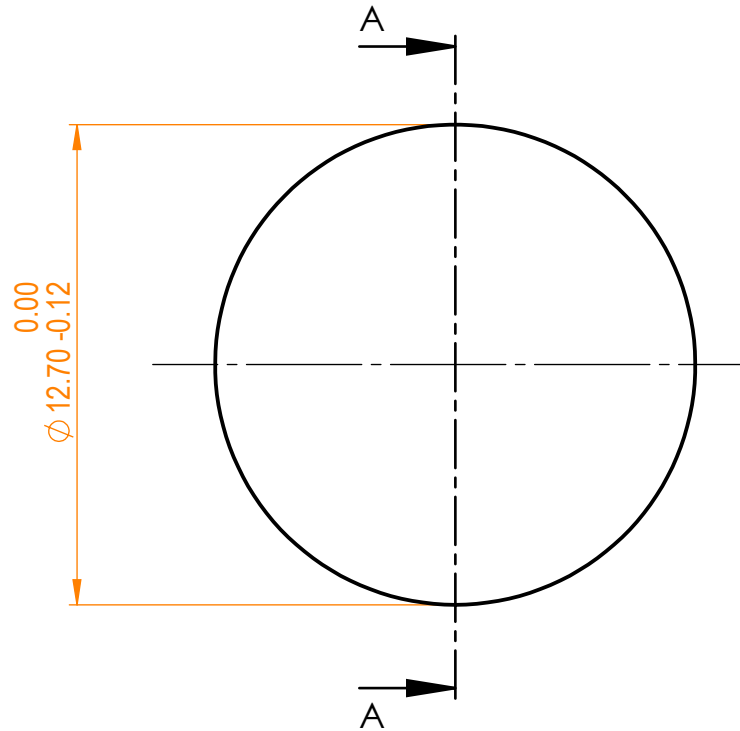


NOTES:  
 1. Material: BK7;  
 2. G - Fine ground surface;  
 3. All dimensions are in mm;



Isometric view 1:1



Specifications are subject to change without notice  
 Dimensions are for reference only

| Parameters          |                                     |
|---------------------|-------------------------------------|
| Shape               | Plano                               |
| S1 Surface flatness | $\lambda/10$ @632.8 nm              |
| S1 Surface quality  | 20-10 s/d                           |
| S2 Surface quality  | Commercial polish                   |
| Clear aperture      | $\geq 85\%$                         |
| Protective chamfers | 0.2 - 0.3 mm x 45°                  |
| Wedge               | <3 minutes                          |
| Coating             | HR(s+p)/2>99.8%@1000-1060nm, AOI=0° |



BK7 pl mirror, D=12.7 mm, T=6 mm

| Proprietary   | Approved | Name | Date       | Part number   | Rev. | Scale |
|---|----------|------|------------|---------------|------|-------|
| The information in this drawing is property of EKSMA Optics. Any reproduction in part or as a whole without the written permission of EKSMA Optics is prohibited. | Approved | A.K. | 2019.12.11 | 031-1030T6-i0 | A    | 5:1   |
|   | Drawn    | A.F. | 2019.12.11 |               |      |       |