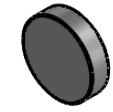
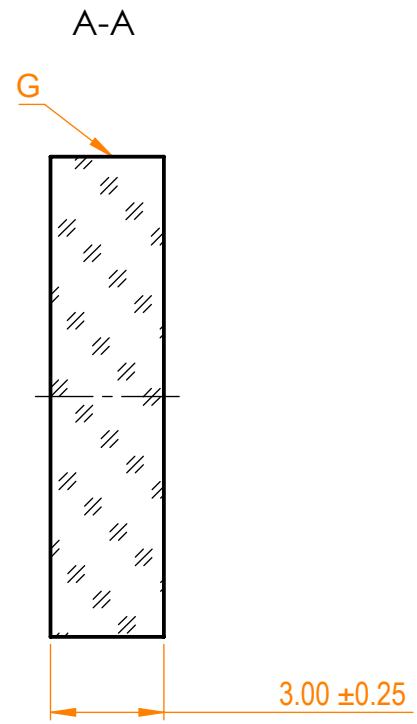
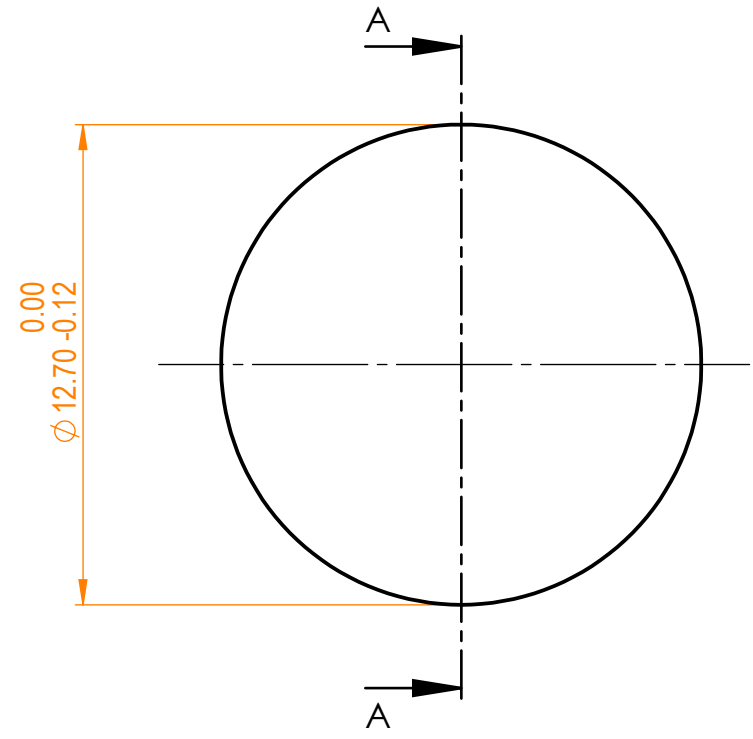


NOTES:  
 1. Material: BK7;  
 2. G - Fine ground surface;  
 3. All dimensions are in mm;



Isometric view 1:1



Specifications are subject to change without notice  
 Dimensions are for reference only

Parameters		EKSMA OPTICS		BK7 pl mirror, D=12.7 mm, T=3 mm							
Shape	Plano	 info@eksmaoptics.com www.eksmaoptics.com		Proprietary		Name	Date	Part number	Rev.	Scale	
S1 Surface flatness	$\lambda/10$ @632.8 nm					Approved	A.K.				2019.12.12
S1 Surface quality	20-10 s/d			The information in this drawing is property of EKSMA Optics. Any reproduction in part or as a whole without the written permission of EKSMA Optics is prohibited.	Drawn	A.F.	2019.12.12				
S2 Surface quality	Commercial polish					031-0490-i0		A	5:1		
Clear aperture	$\geq 85\%$			Approved							
Protective chamfers	0.2 - 0.3 mm x 45°			Drawn							
Wedge	<3 minutes										
Coating	HR(s+p)/2>99.8%@488-515nm, AOI=0°										