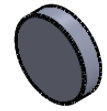
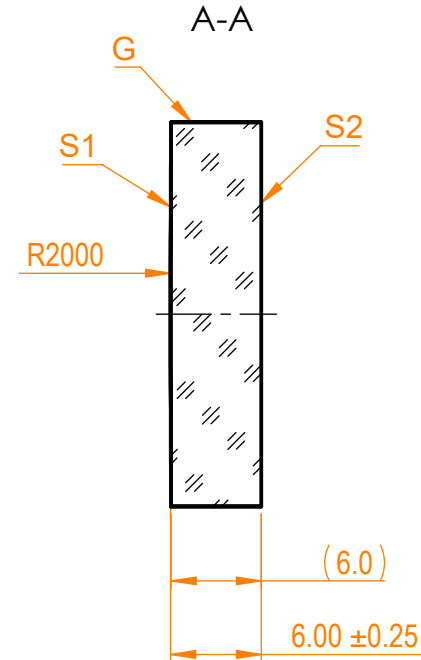
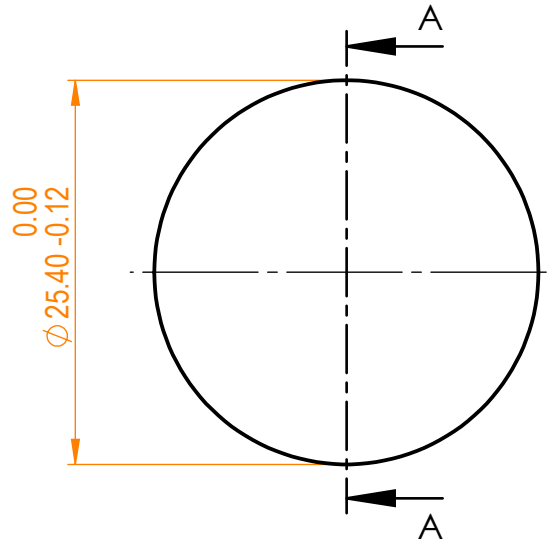


**NOTES:**

1. Material: UVFS;
2. LDT: >120 mJ/cm<sup>2</sup>, 50 fsec, 100Hz, 1030 nm;
3. Coating adhesion and durability: MIL-C-675A;
4. Protective chamfers: 0.2 - 0.3 mm x 45°;
5. G - Fine ground surface;
6. All dimensions are in mm.



Isometric view 1:2



**Parameters**

|                      | S1                          | S2                |
|----------------------|-----------------------------|-------------------|
| Shape                | Convex                      | Plano             |
| Radius of curvature  | 2000 mm                     | Infinity          |
| Surface quality      | 20-10 s/d                   | Commercial polish |
| Surface irregularity | $\lambda/10$ @632.8 nm      | -                 |
| Clear aperture       | ≥85%                        | -                 |
| Coating              | HR>99.7% @1030±20nm, AOI=0° | -                 |



UVFS pl/cx mirror, D=25.4 mm

| Proprietary   | Approved | Name | Date       | Part number | Rev. | Scale |
|---|----------|------|------------|-------------|------|-------|
| The information in this drawing is property of EKSMA Optics. Any reproduction in part or as a whole without the written permission of EKSMA Optics is prohibited. | Drawn    | A.K. | 2020.12.22 | 022-9200    | A    | 5:1   |
|   |          | M.B. | 2020.12.22 |             |      |       |