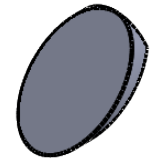
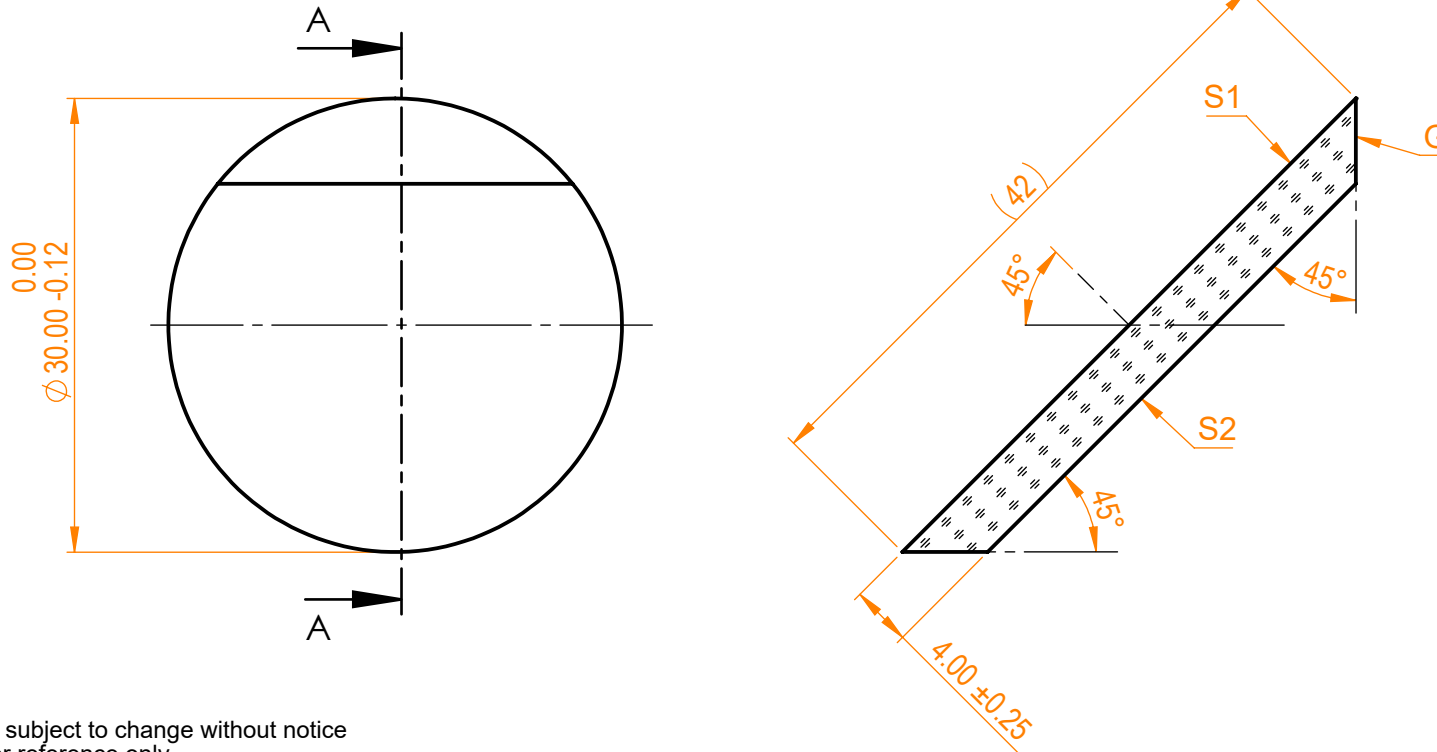


NOTES:

- 1. Material: UVFS;
- 2. G - Fine ground surface;
- 3. All dimensions are in mm;
- 4. Protective chamfers: 0.3 mm x 45°;
- 5. Parallelism: <3 min;



Isometric view 1:2



Specifications are subject to change without notice
 Dimensions are for reference only

Parameters	
	S1
Shape	Plano
Surface flatness	$\lambda/4$ @633nm
Surface quality	20-10 s/d
Clear aperture	>90%
Coating	-

Elliptical window, A type, D=30 mm

Proprietary	Approved	Name	Date	Part number	Rev.	Scale
The information in this drawing is property of EKSMA Optics. Any reproduction in part or as a whole without the written permission of EKSMA Optics is prohibited.	Drawn	A.K.	2021.02.22	020-1304A	A	2:1
		M.B.	2021.02.22			