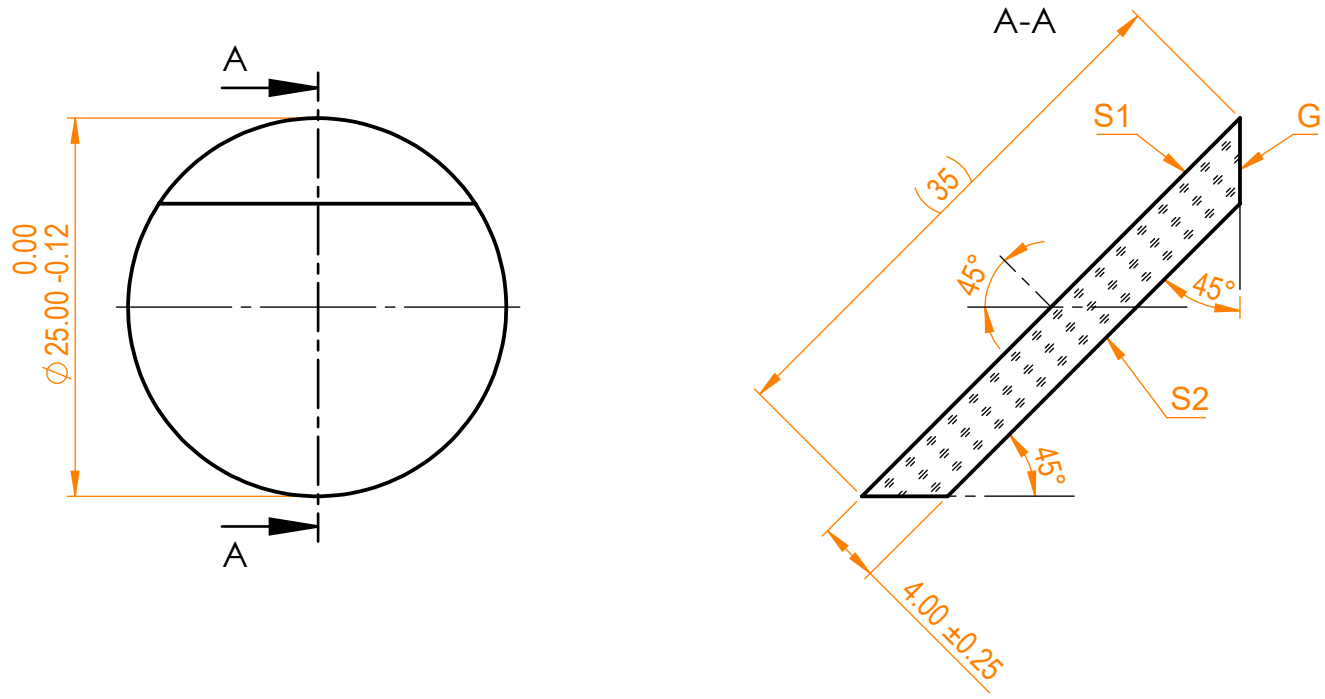


NOTES:

1. Material: UVFS;
2. G - Fine ground surface;
3. All dimensions are in mm;
4. Protective chamfers: 0.3 mm x 45°;
5. Parallelism: <3 min;




Isometric view 1:2



Specifications are subject to change without notice  
 Dimensions are for reference only

Parameters	
	S1
Shape	Plano
Surface flatness	$\lambda/4@633\text{nm}$
Surface quality	20-10 s/d
Clear aperture	>90%
Coating	-

  
 info@eksmaoptics.com  
 www.eksmaoptics.com

Proprietary	Approved
The information in this drawing is property of EKSMA Optics. Any reproduction in part or as a whole without the written permission of EKSMA Optics is prohibited.	Drawn

Elliptical window, A Type, D=25 mm				
Name	Date	Part number	Rev.	Scale
A.K.	2021.02.22	020-1254A	A	2:1
M.B.	2021.02.22			