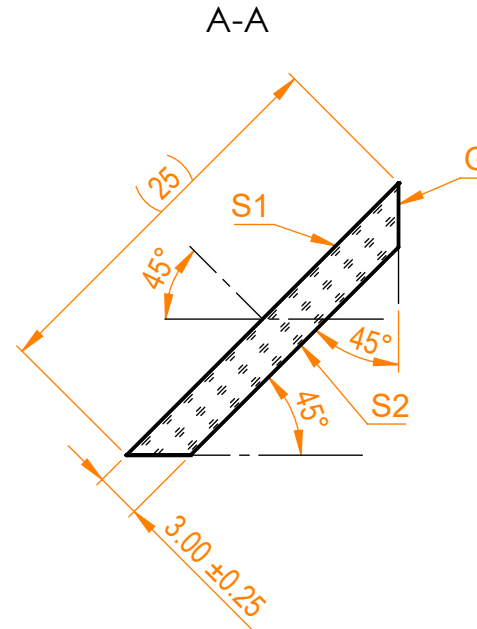
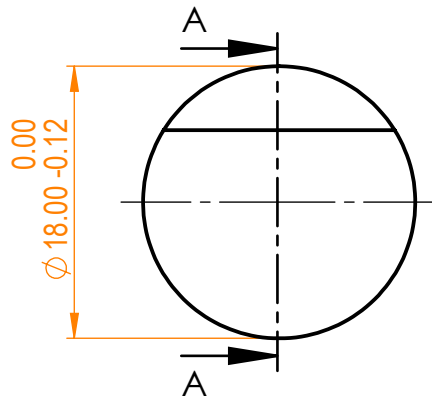


NOTES:


1. Material: UVFS;
2. G - Fine ground surface;
3. All dimensions are in mm;
4. Protective chamfers: 0.3 mm x 45°;
5. Parallelism: <3 min;



Isometric view 1:2



Specifications are subject to change without notice
 Dimensions are for reference only

Parameters				 info@eksmaoptics.com www.eksmaoptics.com		Elliptical window, A Type, D=18 mm				
	S1	S2								
Shape	Plano	Plano								
Surface flatness	$\lambda/4@633\text{nm}$	$\lambda/4@633\text{nm}$								
Surface quality	20-10 s/d	20-10 s/d								
Clear aperture	>90%	>90%								
Coating	-	-								
				Proprietary		Name	Date	Part number	Rev.	Scale
				The information in this drawing is property of EKSMA Optics. Any reproduction in part or as a whole without the written permission of EKSMA Optics is prohibited.	Approved	A.K.	2021.02.22	020-1183A	A	2:1
					Drawn	M.B.	2021.02.22			