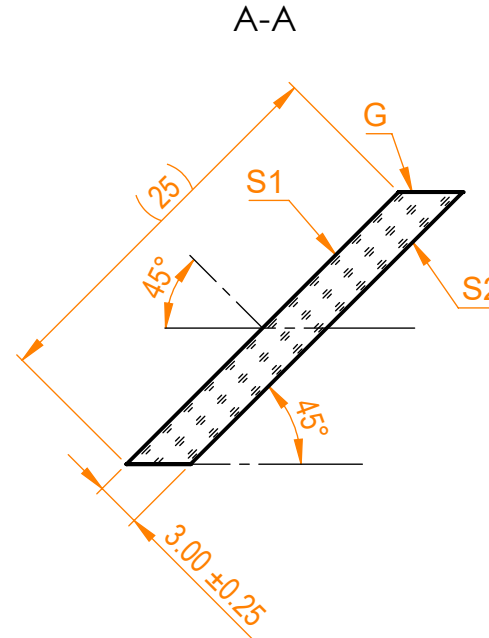
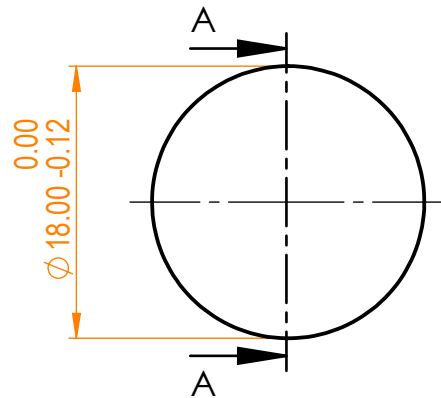


NOTES:


1. Material: N-BK7;
2. G - Fine ground surface;
3. All dimensions are in mm;
4. Protective chamfers: 0.3 mm x 45°;
5. Parallelism: <3 min;



Isometric view 1:2



Specifications are subject to change without notice
 Dimensions are for reference only

Parameters				 info@eksmaoptics.com www.eksmaoptics.com		Elliptical window, B Type, D=18 mm			
	S1	S2							
Shape	Plano	Plano							
Surface flatness	$\lambda/4$ @633nm	$\lambda/4$ @633nm							
Surface quality	20-10 s/d	20-10 s/d							
Clear aperture	>90%	>90%							
Coating	-	-							
			Proprietary	Approved	Name	Date	Part number	Rev.	Scale
			The information in this drawing is property of EKSMA Optics. Any reproduction in part or as a whole without the written permission of EKSMA Optics is prohibited.	Drawn	A.K.	2021.02.22	020-0183B	A	2:1
					M.B.	2021.02.22			