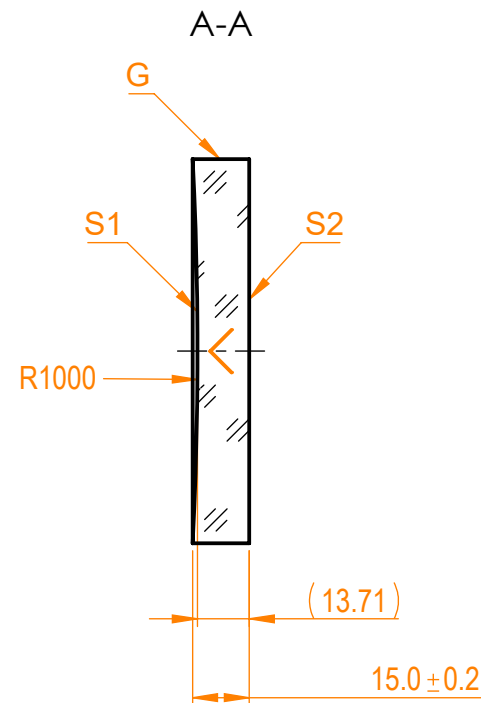
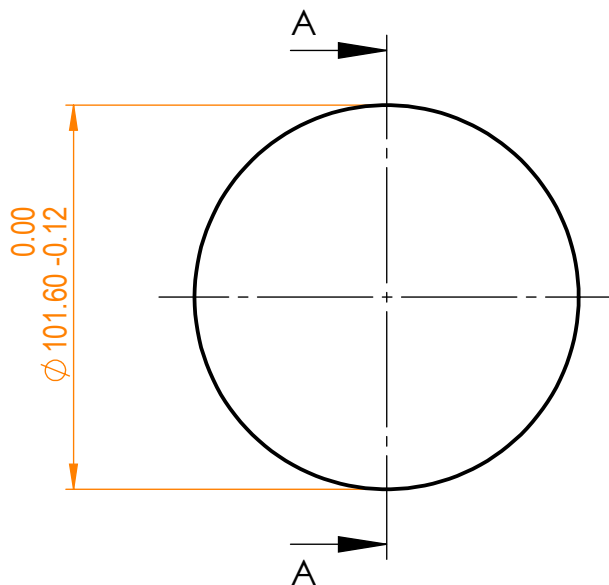


NOTES:


- 1. Material: UVFS;
- 2. G - Fine ground surface;
- 3. All dimensions are in mm;
- 4. Centration error: ≤ 3 arcmin;
- 5. Protective chamfers: 0.3 mm x 45°;
- 6. Radius tolerance: $\pm 1\%$;



Isometric view 1:8



Specifications are subject to change without notice
Dimensions are for reference only

		Parameters		 info@eksmaoptics.com www.eksmaoptics.com		UVFS pl/cv window, D=101.6 mm, T=15 mm				
		S1	S2			Name	Date	Part number	Rev.	Scale
D	Shape	Concave	Plano	Proprietary	Approved	A.K.	2020.11.16	010-1825E	A	1:2
	Radius of curvature	1000	Infinity							
	Surface irregularity	$\lambda/10$ @633nm	$\lambda/10$ @633nm	The information in this drawing is property of EKSMA Optics. Any reproduction in part or as a whole without the written permission of EKSMA Optics is prohibited.	Drawn	V.S.	2020.11.16			
	Surface quality	20-10 s/d	20-10 s/d							
	Clear aperture	$\geq 90\%$	$\geq 90\%$							
	Coating	-	-							