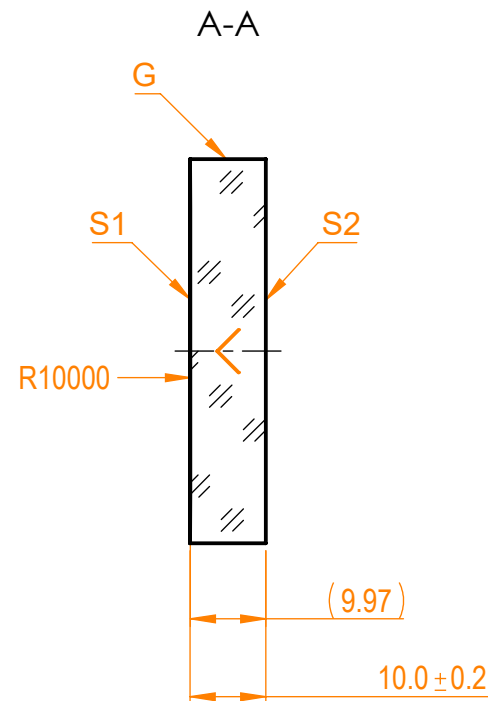
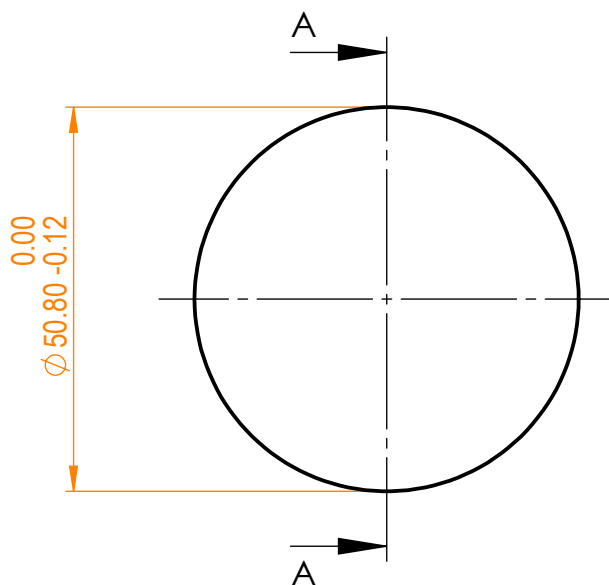


**NOTES:**


- 1. Material: UVFS;
- 2. G - Fine ground surface;
- 3. All dimensions are in mm;
- 4. Centration error:  $\leq 3$  arcmin;
- 5. Protective chamfers: 0.3 mm x 45°;
- 6. Radius tolerance:  $\pm 1\%$ ;



Isometric view 1:4



Specifications are subject to change without notice  
Dimensions are for reference only

Parameters						UVFS pl/cv window, D=50.8 mm, T=10 mm					
	S1	S2									
Shape	Concave	Plano									
Radius of curvature	10000	Infinity									
Surface irregularity	$\lambda/10$ @633nm	$\lambda/10$ @633nm									
Surface quality	20-10 s/d	20-10 s/d									
Clear aperture	$\geq 90\%$	$\geq 90\%$									
Coating	-	-									
				Proprietary The information in this drawing is property of EKSMA Optics. Any reproduction in part or as a whole without the written permission of EKSMA Optics is prohibited.		Approved Drawn	Name A.K. V.S.	Date 2020.11.16 2020.11.16	Part number 010-1550E	Rev. A	Scale 1:1