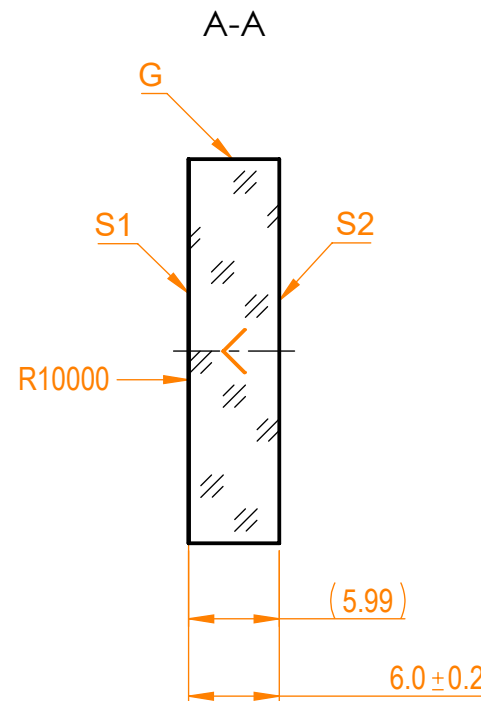
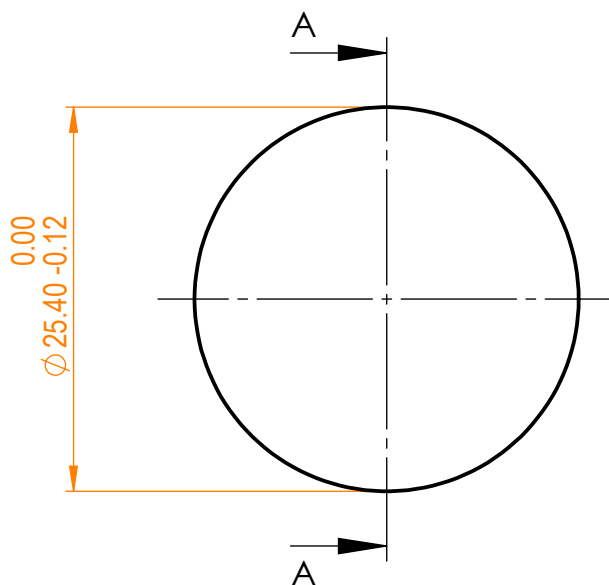


NOTES:


1. Material: UVFS;
2. G - Fine ground surface;
3. All dimensions are in mm;
4. Centration error:  $\leq 3$  arcmin;
5. Protective chamfers: 0.3 mm x 45°;
6. Radius tolerance:  $\pm 1\%$ ;



Isometric view 1:2



Specifications are subject to change without notice  
 Dimensions are for reference only

| Parameters           |                     |                     |  | <br>info@eksmaoptics.com<br>www.eksmaoptics.com                              |          | UVFS pl/cv window, D=25.4 mm, T=6 mm |            |             |      |       |
|----------------------|---------------------|---------------------|--|---|----------|--------------------------------------|------------|-------------|------|-------|
|                      | S1                  | S2                  |  |   |          |                                      |            |             |      |       |
| Shape                | Concave             | Plano               |  |   |          |                                      |            |             |      |       |
| Radius of curvature  | 10000               | Infinity            |  |   |          |                                      |            |             |      |       |
| Surface irregularity | $\lambda/10$ @633nm | $\lambda/10$ @633nm |  |   |          |                                      |            |             |      |       |
| Surface quality      | 20-10 s/d           | 20-10 s/d           |  |   |          |                                      |            |             |      |       |
| Clear aperture       | $\geq 90\%$         | $\geq 90\%$         |  |   |          |                                      |            |             |      |       |
| Coating              | -                   | -                   |  |   |          |                                      |            |             |      |       |
|                      |                     |                     |  | Proprietary   |          | Name                                 | Date       | Part number | Rev. | Scale |
|                      |                     |                     |  | The information in this drawing is property of EKSMA Optics. Any reproduction in part or as a whole without the written permission of EKSMA Optics is prohibited. | Approved | A.K.                                 | 2020.11.16 | 010-1250E   | A    | 2:1   |
|                      |                     |                     |  |   | Drawn    | V.S.                                 | 2020.11.16 |             |      |       |