

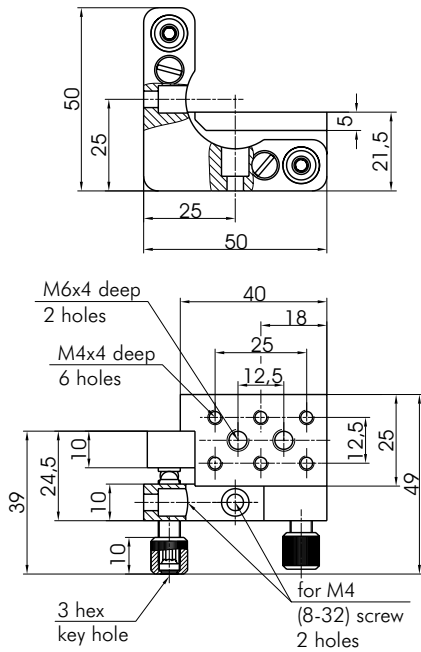
BUDGET KINEMATIC OPTICAL MOUNTS

- Handy two orthogonal angular adjustments
- 9° range
- Sensitivity 3 arcsec
- M6×0.25 adjustment screws provide precise kinematic control
- Made of black anodized aluminium

Budget Kinematic Optical Mounts are designed for angular alignment of optical elements, in a range of 9° in both orthogonal axes. The tilting element is always true-kinematic-registered. The Mounts are produced of black anodized aluminium. Custom colors are available on request.

840-1120-B

PRISM / OPTICS MOUNT



Prism Mount 840-01120-B provides basic mounting for prisms, beamsplitter, cubes and etc. Spring clamps 840-0111 series should be ordered separately. This mount is metric compatible. 840-1120-B Mounts are equipped with fine pitch M6x0.25 mm adjustment screws, which rest upon hardened steel seats to provide reliable and repeatable adjustment. Mounting through holes for M4(8-32) screws.

Weight: 0.1 kg.

“Right-hand” version available



840-0111 Spring Clamps see page 8.75

SPECIFICATIONS

Travel range	9°
Sensitivity	3 arcsec
Fine screw thread	M6x0.25
Weight	0.1 kg

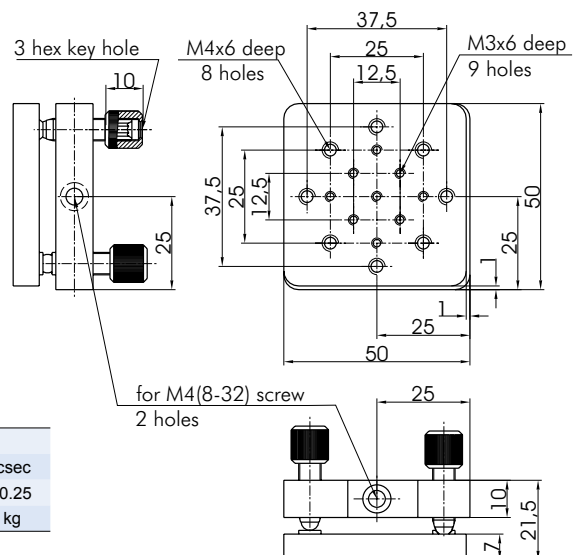
Model	Description	Price, EUR
840-1120-B2	2 fine screws	54
840-1120-B3	3 fine screws	-
840-1120-BM2	2 fine screws, right hand version	54
840-1120-BM3	3 fine screws, right hand version	-

840-2120-B

UNIVERSAL PLATFORM MOUNT



Universal Platform Mount 840-2120-B is designed for precise adjustments of various optical components which can be directly bound to it. The mount can be also used horizontally for tip/tilt adjustment. Mounting through holes for M4(8-32) screws. Weight: 0.1 kg.



SPECIFICATIONS

Travel range	9°
Sensitivity	3 arcsec
Fine screw thread	M6x0.25
Weight	0.11 kg

Model	Description	Price, EUR
840-2120-B2	2 fine screws	46
840-2120-B3	3 fine screws	58