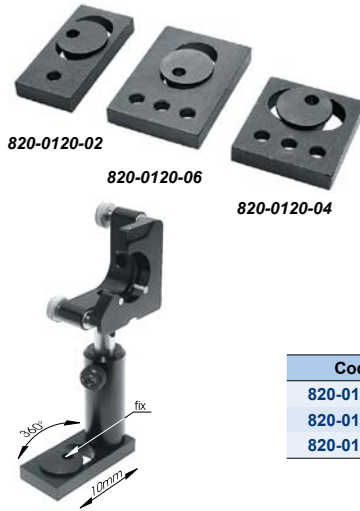


820-0120

BASE PLATES WITH ECCENTRIC CLAMP

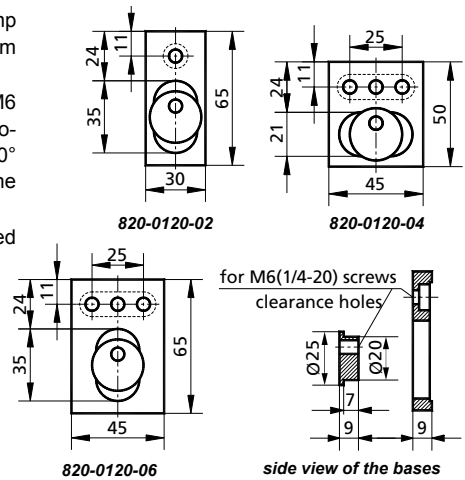


Bases 820-0120 are used to clamp posts and post holders in random positions.

Attach a post to the base using a M6 screw. Set the position. The base rotates around the clamp through 360° and translates within 10 mm.

Fix the clamp with a M6 screw. The base is made of black anodized aluminium.

Code	Weight, kg	Price, EUR
820-0120-02	0.11	11
820-0120-04	0.12	12
820-0120-06	0.15	15



820-0125

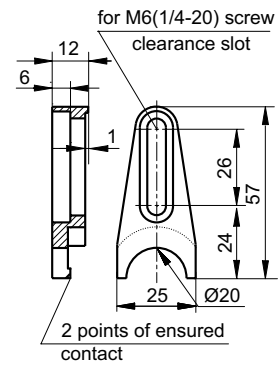
TABLE CLAMP



820-0125 Table Clamp is used for convenient and fast mounting of 795-0010 rods, 820-0055 pedestals or 820-0051 Rod Holders with Base Adapter on optical tables or breadboards.

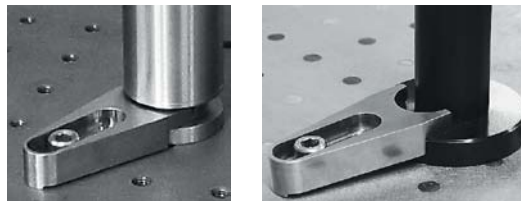
Material: stainless steel.

Code	Weight, kg	Price, EUR
820-0125	0.05	15



Complementary Products

Code	Page
795-0010	8.32
795-0016	8.32
820-0051	8.34
820-0055	8.35



820-0130

BASE PLATE WITH ROTARY CLAMP



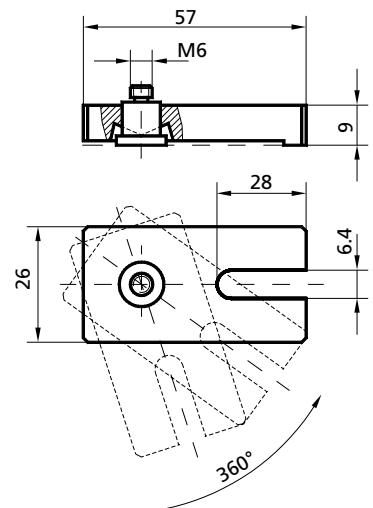
Rotary Clamp 820-0130 is used to fasten components at random positions where they can not be fastened directly to the optical table.

Screw a post or post holder onto the clamp's knob. Then locate the component at the required position. While the knob is firmly attached to the component, it al-

lows the plate to rotate freely. Position the plate's slot over a tapped hole and screw it down to clutch the knob. The component will remain stable.

Material: steel with chemical black finish.

Code	Weight, kg	Price, EUR
820-0130	0.08	8



OPTICAL TABLES

BRACKETS & RAILS

BASE MOUNTS & ACCESSORIES

OPTICAL MOUNTS

OPTICAL POSITIONERS

BASE POSITIONERS

TRANSLATION & ROTATION STAGES

ADJUSTMENT SCREWS

MOTORIZED POSITIONERS