

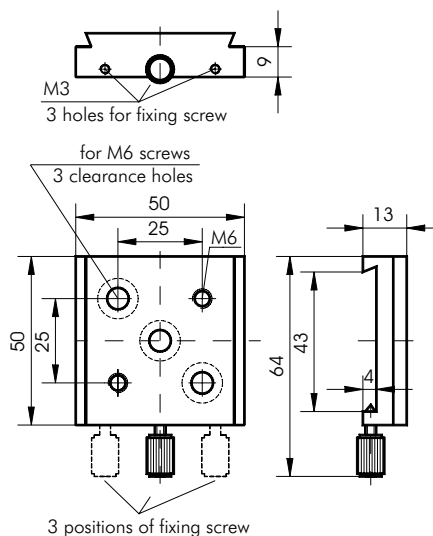
810-0030

SLIDING RAIL CARRIER

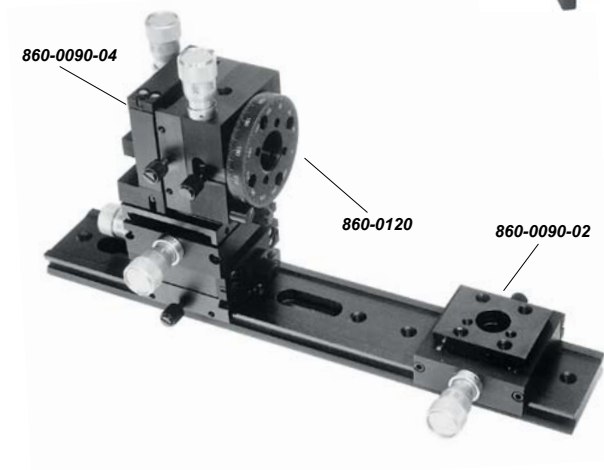


Sliding Rail Carrier 810-0030 – universal platform, with additional upper rails, orthogonal to lower base rails.
 The Carrier allows to attach any unit on the rail 810-0010, to move it easily along the Optical Rail and to fix it across within ± 15 mm.
 The Carrier has a pattern of M6 and $\text{Ø}6.4$ mm mounting holes allowing to attach any mechanical unit.
 Sliding Rail Carrier is made of black finished hardened steel.

Code	Weight, kg	Price, EUR
810-0030	0.14	69



Stacked rail carriers enable only coarse adjustment along X and Y axes. Z-axis translator 860-0090-04 can point it's $\text{Ø}15$ mm aperture 90° to the side – on single or along the rail – on stacked carriers.



Complementary Products

Code	Page
810-0010-04	8.16
860-0090-02	8.121
860-0120	8.131

OPTICAL TABLES

BRACKETS & RAILS

BASE MOUNTS & ACCESSORIES

OPTICAL MOUNTS

OPTICAL POSITIONERS

BASE POSITIONERS

TRANSLATION & ROTATION STAGES

ADJUSTMENT SCREWS

MOTORIZED POSITIONERS