

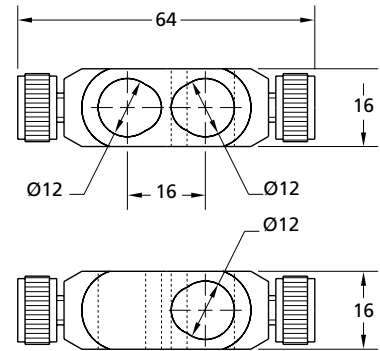
820-0180

ROD CLAMP



The 820-0180 clamp mounts two standard rods at right angle with respect to each other.
Finish: black anodized aluminium.

Code	Weight, kg	Price, EUR
820-0180	0.02	18



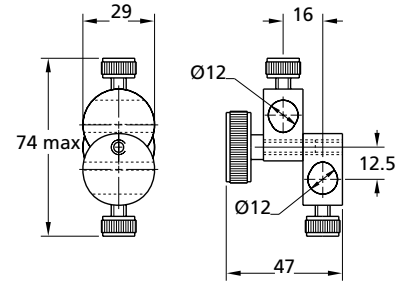
820-0190

ROD CLAMP



The 820-0190 clamp mounts two standard rods at desirable angle with respect to each other. The construction of clamp allows positioning of one rod without loosening of other.
Finish: black anodized aluminium.

Code	Weight, kg	Price, EUR
820-0190	0.06	25



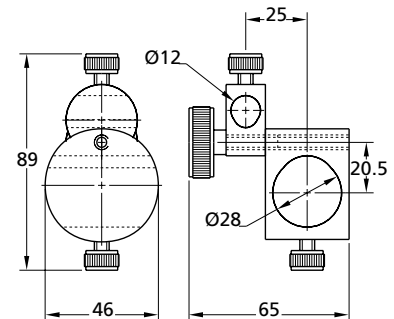
820-0200

ROD CLAMP



The 820-0200 clamp holds standard and large rods at desirable angle with respect to each other.
Finish: black anodized aluminium.

Code	Weight, kg	Price, EUR
820-0200	0.12	26



OPTICAL
TABLES

BRACKETS &
RAILS

BASE MOUNTS &
ACCESSORIES

OPTICAL
MOUNTS

OPTICAL
POSITIONERS

BASE
POSITIONERS

TRANSLATION &
ROTATION STAGES

ADJUSTMENT
SCREWS

MOTORIZED
POSITIONERS