

840-0190 POLARIZER HOLDER



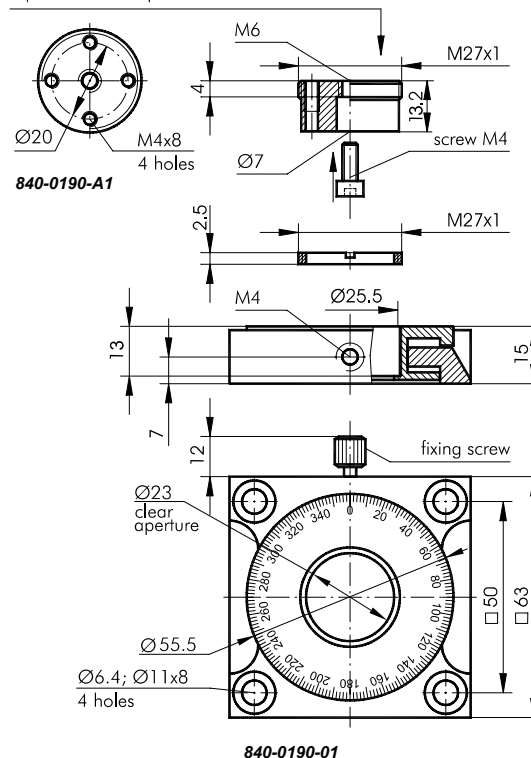
- For Ø1" optics
- Can be used as an optical mount and rotation stage
- Accepts optics up to 9 mm thick
- Continuous 360° rotation with 2° scale gradation
- Lockable
- Roller bearings design
- Material: black anodized aluminum

Base of 840-0190 has beveled sides for fingers to rotate the platform by its knurled edge.

You may transform a polarizer holder into a rotation stage. For this you need to order an insert platform 840-0190-A1 separately. To mount components on it the platform has a pattern of M4 holes and a central Ø7-to-M6 hole. If you need to fasten to the central hole a unit with M4 mounting hole, you can slip an M4 screw through this Ø7-to-M6 combined hole (see the drawing for 840-0190-01).

Code	Weight, kg	Price, EUR
840-0190-01	0.12	78
840-0190-A1	-	6

top view of insert platform



OPTICAL TABLES

BRACKETS & RAILS

BASE MOUNTS & ACCESSORIES

OPTICAL MOUNTS

OPTICAL POSITIONERS

BASE POSITIONERS

TRANSLATION & ROTATION STAGES

ADJUSTMENT SCREWS

MOTORIZED POSITIONERS