

PCB6.3S-C-1064 BBO Pockels cell with BBO crystal

Crystal size: 6.3x6.3x20 mm

Clear aperture: diameter 5.8 mm

Quarter wave voltage at 1064 nm: < 7.5 kV DC

Capacitance: < 6 pF

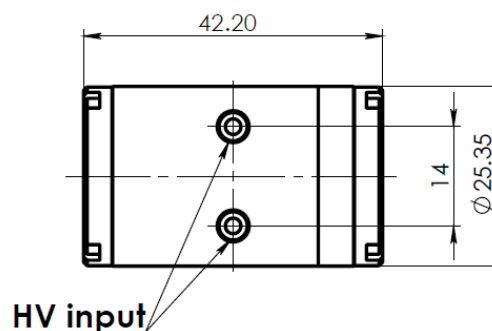
Optical transmission: > 98 % at 1064 nm

Contrast ratio in crossed polarizers (ICR): > 1:1000 (no voltage is applied)

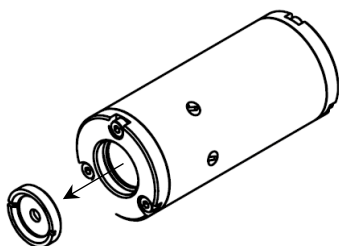
Damage threshold of dielectric AR coatings: > 0.5 GW/cm², 1064 nm, 10 Hz, 10 ns

With ceramic apertures on both ends

Cell size: diameter 25.4 mm x 42.2 mm (L)



Outline picture and drawing of **PCB6.3S** BBO Pockels cell



For window cleaning ceramic aperture can be easily removed

The specifications are subject to change without any notice in advance.