

PCB6.3S-C-1030 BBO Pockels cell with BBO crystal

Crystal size: 6.3x6.3x20 mm

Clear aperture: diameter 5.8 mm

Quarter wave voltage at 1030 nm: < 7.4 kV DC

Capacitance: < 6 pF

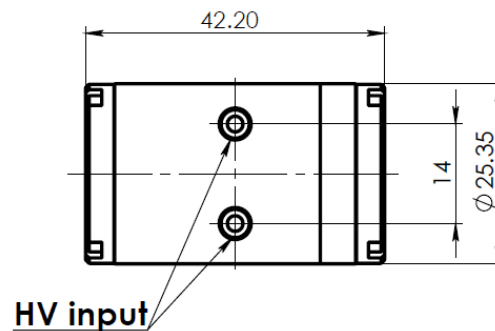
Optical transmission: > 98 % at 1030 nm

Contrast ratio in crossed polarizers (ICR): > 1:1000 (no voltage is applied)

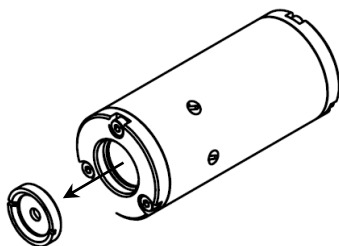
Damage threshold of dielectric AR coatings: > 0.5 GW/cm², 1064 nm, 10 Hz, 10 ns

With ceramic apertures on both ends

Cell size: diameter 25.4 mm x 42.2 mm (L)



Outline picture and drawing of **PCB6.3S** BBO Pockels cell



For window cleaning ceramic aperture can be easily removed

The specifications are subject to change without any notice in advance.

EKSMA Optics UAB

Mokslininku St. 11,
LT-08412 Vilnius, Lithuania

Tel.: +370 5 272 9900
Fax: +370 5 272 9299

info@eksmaoptics.com
www.eksmaoptics.com

Company code: 3006245247
VAT ID: LT100002802516