

**PC20SR-2/2-1064** DKDP (KD\*P) Pockels cell

Crystal size: diameter 20 x 35 mm, both ends wedged at 2 deg and parallel

Clear aperture: diameter 18 mm

Quarter wave voltage at 1064nm: < 3.4 kV DC

Capacitance: < 12 pF

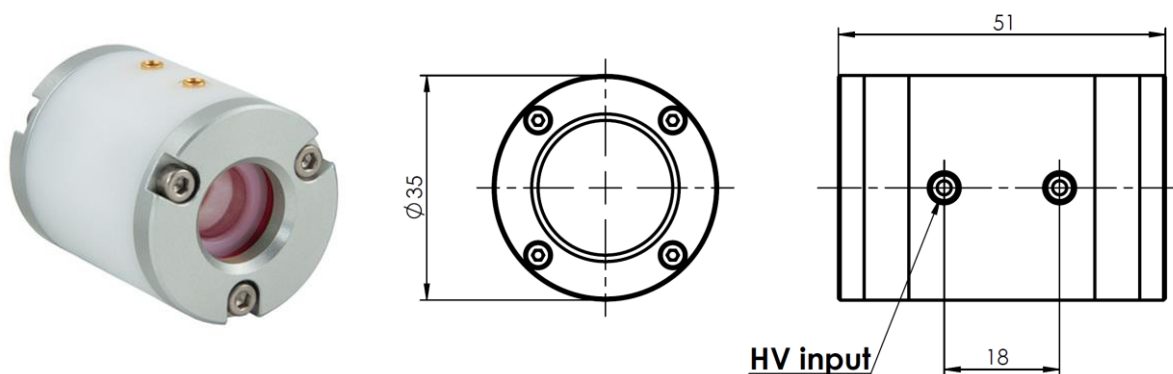
Optical transmission: > 97 % at 1064 nm

Contrast ratio in crossed polarizers (ICR): > 1:2000 (no voltage is applied)

Damage threshold of dielectric AR coatings: > 0.5 GW/cm<sup>2</sup> (> 5 J/cm<sup>2</sup>), 1064 nm, 10 Hz, 10 ns

With protective windows on both ends

Cell size: diameter 35 mm x 51 mm (L)



Outline picture and drawing of **PC20SR-2/2** DKDP (KD\*P) Pockels cell

The specifications are subject to change without any notice in advance.